

Replacement Parts Suitable for
Perkins 1100C

BEPCO-TRACPIECES
Your Global Supplier

Tractor Parts
& accessories

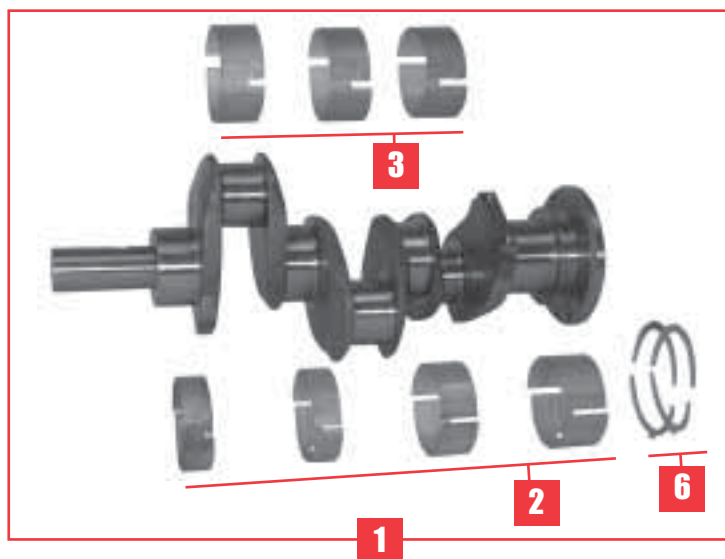
www.tracpieces-online.com

TRACTOR AND ENGINE APPLICATION CHARTS

TRACTORES Y MOTORES, TABLA DE APLICACIONES

Tractors <i>Tractores</i>	Engine <i>Motor</i>	Cyl. <i>Cil.</i>	Bore mm <i>Dia mm</i>
Serie 400 series			
410	1103C-33	3	105
420	1103C-33T	3	105
430	1103C-33T	3	105
Serie 3400 series			
3425 F	1103C-33T	3	105
3425 GE	1103C-33T	3	105
3425 S	1103C-33T	3	105
3425 V	1103C-33T	3	105
3435 F	1104C-44	4	105
3435 GE	1104C-44	4	105
3435 S	1104C-44	4	105
3435 V	1104C-44	4	105
3445 F	1104C-44T	4	105
3445 GE	1104C-44T	4	105
3455 F	1104C-44T	4	105
3455 GE	1104C-44T	4	105
Serie 5400 series			
5425	1104C-44	4	105
5435	1104C-44	4	105
5445	1104C-44T	4	105
5455	1104C-44T	4	105
5460	1104C-44TA	4	105
5465	1106C-E66TA	6	100
Serie 6400 series			
6445	1104C-44T	4	105
6455	1104C-44T	4	105
6460	1104C-E44TA	4	105
6465	1106C-E66TA	6	100
6470	1104C-E44TA	4	105
6475	1106C-E66TA	6	100
6480	1106C-E66TA	6	100
Serie 7400 series			
7465	1106C-E66TA	6	100
7475	1106C-E66TA	6	100
7480	1106C-E66TA	6	100
DERIVATIVE APPLICATION CHART			
TABLA PARA MODELOS DERIVADOS			
Tractors <i>Tractores</i>	Engine <i>Motor</i>	Derivatives <i>Derivadas</i>	
3 cyl. Engines			
3425	1103C-33T	3425F, 3425GE, 3425S, 3425V	
4 cyl. Engines			
3435	1104C-44	3435F, 3435GE, 3435S, 3435V	
3445	1104C-44T	3445F, 3445GE	
3455	1104C-44T	3455F, 3455GE	

CRANKSHAFT & RELATED PARTS
CIGÜEÑALES Y PIEZAS RELACIONADAS



		1	2	3	4	5	6
Tractors Tractores	Engine Motor	Crankshaft kit Conjunto de cigüeñal	Main bear. set J. cojinetes bancada	Conrod bear. set J. cojinetes biela	Top thrust washer Arandela superior	Bot. thrust washer Arandela inferior	Thrust washer kit Juego de arandelas
3 cylinder engines / Motores 3 cilindros							
410	1103C-33	30/1-152K (4181V017, 4225301M91)	30/2-152 (U5MB0019, U5MB0037, 4225305M91, 4227103M91)	(A) 30/3-152 (U5ME0018, U5ME0033, 4225306M91, 4226931M91)	30/4-3 (31137551, 747128M1)	30/5-3 (31137561, 747129M1)	Standard 30/6-3 (U5TW0002) (+0.007", 0.19mm) 30/6-4 (U5TW0002B)
420, 430 3425	1103C-33T						
4 cylinder engines / Motores 4 cilindros							
3435 5425, 5435	1104C-44	30/1-153K (ZZ90224, ZZ90222 4225086M91, 4225085M91)	30/2-153 (U5MB0018, U5MB0033, 4225059M91, 4226953M91)	(A) 30/3-153 (U5ME0013, U5ME0026, U5ME0034, 4225063M91, 4226914M91)	30/4-3 (31137551, 747128M1)	30/5-3 (31137561, 747129M1)	Standard 30/6-3 (U5TW0002) (+0.007", 0.19mm) 30/6-4 (U5TW0002B)
3445, 3455 5445, 5455, 5460 6445, 6455	1104C-44T, 1104C-44TA						
6460, 6470	1104C-E44TA	30/1-154K (B) (ZZ90214, 4225156M91)					
6 cylinder engines / Motores 3 cilindros							
5465 6465, 6475, 6480 7465, 7475, 7480	1106C-E60TA	30/1-155K (B) (ZZ90213, ZZ90228, 4225084M91, 4225497M91)	30/2-45 (U5MB0010, 3640873M91)	(A) 30/3-155 (U5ME0014, U5ME0025, U5ME0035, 4225212M91, 4226917M91)	30/4-3 (31137551, 747128M1)	30/5-3 (31137561, 747129M1)	Standard 30/6-3 (U5TW0002) (+0.007", 0.19mm) 30/6-4 (U5TW0002B)

N.B. Main and conrod bearing sets are available in 0.010" - 0.020" - 0.030" undersize. Please add the suffix A, B or C respectively.

(A) Conrod bearing sets include 30/3-153P alignment tool equivalent to 27610233, 4226032M1

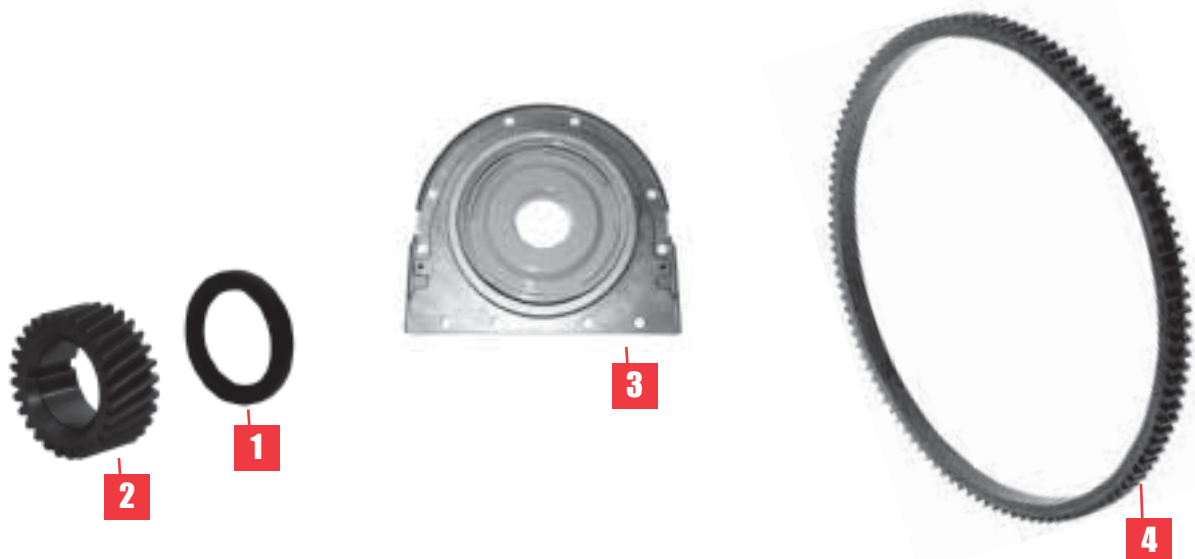
(B) 30/1-154K & 30/1-155K include the timing ring 3116L002, 4225442M1

N.B. Cojinetes de bancada y de biela disponibles en las siguientes sobremedidas 0.010"- 0.020"- 0.030". Adjuntar los prefijos A, B, o C.

(A) Juego cojinetes de biela incluye 30/3-153P herramienta equivalente a 27610233, 4226032M1

(B) 30/1-154K & 30/1-155K incluido el sistema de ajuste : 3116L002, 4225442M1

CRANKSHAFT & RELATED PARTS CIGÜEÑALES Y PIEZAS RELACIONADAS



Tractors Tractores	Engine Motor	1 Front cover seal Retén delantero	2 Crankshaft gear Piñón cigüeñal	3 Rear housing seal Retén trasero	4 Flywheel ring gear Corona de volante		
3 cylinder engines / Motores 3 cilindros							
410	1103C-33	30/11-11 (2418F436, 1447690M1)	30/12-152 (3117C221, 4224833M1)	30/13-152 (2418F704, 4224762M1)	30/15-1 (0410236, 731008M1, 3819719M1)		
420, 430	1103C-33T				30/15-152 (72280539)		
3425							
4 cylinder engines / Motores 4 cilindros							
3435	1104C-44	30/11-11 (2418F436, 1447690M1)	30/12-152 (3117C221, 4224833M1)	30/13-152 (2418F704, 4224762M1)	30/15-152 (72280539)		
3445, 3455	1104C-44T						
5425, 5435	1104C-44,	30/11-150 (2418F553, 2418F437 4224761M1, 4226213M1)			30/12-152 (3117C221, 4224833M1)	30/13-152 (2418F704, 4224762M1)	30/15-1 (0410236, 731008M1, 3819719M1)
5445, 5455, 5460, 6445	1104C-44T, 1104C-44TA						
6455	1104C-44T						
6460, 6470	1104C-E44TA						
6 cylinder engines / Motores 6 cilindros							
5465 6465, 6475, 6480 7465, 7475, 7480	1106C-E60TA	30/11-11 (2418F436, 1447690M1)	30/12-152 (3117C221, 4224833M1)	30/13-110 (2418F701, 4224532M1)	30/15-7 (1619032M1)		

Part numbers are quoted for reference purposes only.
Our parts and accessories are not original.

"THE RELIABLE SERVICE"

Las referencias originales tienen un propósito identificativo. Nuestras piezas no son originales.

CONNECTING RODS & RELATED PARTS
BIELAS Y PIEZAS RELACIONADAS



		1	2
Tractors <i>Tractores</i>	Engine <i>Motor</i>	Conrod bolt <i>Tornillo biela</i>	Small end bush <i>Casquillo pie de biela</i>
3 cylinder engines / Motores 3 cilindros			
410	1103C-33	30/26-152 (3212V003, 4224864M1)	30/28-152 (3112A005, 4224827M1)
420, 430 3425	1103C-33T		
4 cylinder engines / Motores 4 cilindros			
3435 5425, 5435	1104C-44	30/26-152 (3212V003, 4224864M1)	30/28-152 (3112A005, 4224827M1)
3445, 3455 5445, 5455, 5460 6445, 6455	1104C-44T, 1104C-44TA		
6460, 6470	1104C-E44TA		
6 cylinder engines / Motores 6 cilindros			
5465 6465, 6475, 6480 7465, 7475, 7480	1106C-E60TA	30/26-152 (3212V003, 4224864M1)	30/28-152 (3112A005, 4224827M1)

PISTONS, RING SETS & LINERS

PISTONES, JUEGOS DE SEGMENTOS & CAMISAS



		1	2	3	4	5	6
Tractors Tractores	Engine Motor	Kit set Juego	Piston & rings Pistón con aros	Piston & pin Pistón sin aros	Piston ring set Juego de seym.	Finished liner Camisa term.	Semi-finished liner Camisa semi-term.
3 cylinder engines / Motores 3 cilindros							
410	1103C-33	-	(A) 30/32-606 (4115P011, 4225018M91)	(A) 30/33-606 (B33606)	(A) 30/34-606 (UPRK0003, 4225073M91)	(B) 30/35-606 (B35606)	(B) 30/36-606 (B36606)
420, 430 3425	1103C-33T	-	(A) 30/32-607 (4115P015, 4225019M91)	(A) 30/33-607 (B33607)	(A) 30/34-607 (UPRK0002, 4225072M91)		
4 cylinder engines / Motores 4 cilindros							
3435 5425, 5435	1104C-44	-	(A) 30/32-606 (4115P011, 4225018M91)	(A) 30/33-606 (B33606)	(A) 30/34-606 (UPRK0003, 4225073M91)	(B) 30/35-606 (B35606)	(B) 30/36-606 (B36606)
3445, 3455 5445, 5455, 5460 6445, 6455	1104C-44T, 1104C-44TA	-	(A) 30/32-607 (4115P015, 4225019M91)	(A) 30/33-607 (B33607)	(A) 30/34-607 (UPRK0002, 4225072M91)		
6460, 6470	1104C-E44TA	-					
6 cylinder engines / Motores 6 cilindros							
5465 6465, 6475, 6480 7465, 7475, 7480	1106C-E60TA	30/31-608 (B31608)	30/32-608 (4115P001, 4225017M91)	30/33-608 (B33608)	30/34-608 (UPRK0001, 4225071M91)	(C) 30/35-173 (3135X062, 4222128M1)	(C) 30/36-173 (3135X063, 4222129M1)

(A) Pistons and ring sets are available in 0.50mm and 1.00mm oversize. Please add the suffix B or D respectively

(A) Los pistones y segmentos están disponibles en 0.50mm et 1.00 mm, Adjuntar los prefijos B o D respectivamente.

(B) Alternative option: After counter boring block use either **30/35-606** (B35606) or **30/36-606** (B36606) together with standard size piston

(B) Otra opción : después de rectificado el bloque, utilizar **30/35-606**(B35606) o **30/36-606**(B36606) con los pistones de dimensión estándar.

(C) Cylinder liners available in 0.25mm oversize. **30/35-173A** is equivalent to 3135X065, 4223985M1 and **30/36-173A** is equivalent to 3135X066, 4224842M1

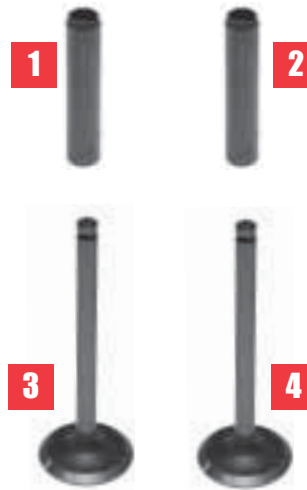
(C) Las camisas disponibles en las siguientes sobremedidas 0.25 mm. **30/35-173A** equivalente a 3135X065, 4223985M1 y **30/36-173A** equivalente a 3135X066, 4224842M1.

Part numbers are quoted for reference purposes only.
Our parts and accessories are not original.

"THE RELIABLE SERVICE"

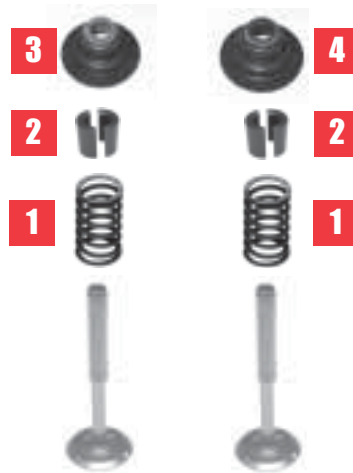
Las referencias originales tienen un propósito identificativo. Nuestras piezas no son originales.

CYLINDER HEAD PARTS
CULATAS Y PIEZAS ANEXAS



		1	2	3	4
Tractors Tractores	Engine Motor	Inlet guide Guía adms.	Exhaust guide Guía escape	Inlet valve Válvula adms.	Exhaust valve Válvula escape
3 cylinder engines / Motores 3 cilindros					
410	1103C-33	30/41-61 (3313A012, 4223987M1)	30/41-61 (3313A012, 4223987M1)	30/42-606 (3142H071, 4224847M1)	30/43-606 (3142A151, 4224846M1)
420, 430 3425	1103C-33T				
4 cylinder engines / Motores 4 cilindros					
3435 5425, 5435	1104C-44	30/41-61 (3313A012, 4223987M1)	30/41-61 (3313A012, 4223987M1)	30/42-606 (3142H071, 4224847M1)	30/43-606 (3142A151, 4224846M1)
3445, 3455 5445, 5455, 5460 6445, 6455	1104C-44T, 1104C-44TA				
6460, 6470	1104C-E44TA				
6 cylinder engines / Motores 6 cilindros					
5465 6465, 6475, 6480 7465, 7475, 7480	1106C-E60TA	30/41-61 (3313A012, 4223987M1)	30/41-62 (3318A705, 4223581M1)	30/42-61 (3142L081, 4222149M91)	30/43-62 (3142D031, 4222896M1)

CYLINDER HEAD PARTS CULATAS Y PIEZAS ANEXAS



		1	2	3	4
Tractors Tractores	Engine Motor	Valve spring Muelle de la válvula	Cotter Semiconos	Inlet valve seal Junta válvula admision	Exhaust valve seal Junta válvula escape
3 cylinder engines / Motores 3 cilindros					
410	1103C-33	30/45-606 (3174A016, 4224856M1)	30/46-14 (3142W004, 4222141M1)	(A) 30/47-607 (2418M519, 4225347M1)	(A) 30/47-608 (2418M517, 4225844M1)
420, 430 3425	1103C-33T				
4 cylinder engines / Motores 4 cilindros					
3435 5425, 5435	1104C-44	30/45-606 (3174A016, 4224856M1)	30/46-14 (3142W004, 4222141M1)	(A) 30/47-607 (2418M519, 4225347M1)	(A) 30/47-608 (2418M517, 4225844M1)
3445, 3455 5445, 5455, 5460 6445, 6455	1104C-44T, 1104C-44TA				
6460, 6470	1104C-E44TA				
6 cylinder engines / Motores 6 cilindros					
5465 6465, 6475, 6480 7465, 7475, 7480	1106C-E60TA	30/45-63 (3174P409, 4224316M1)	30/46-14 (3142W004, 4222141M1)	30/47-63 (2418M506, 4222333M1)	30/47-65 (2418M505, 4223442M1)

(A) Early inlet and exhaust valve stem seal 2418M514, 4224763M1 is replaced by **30/47-606** Seal kit (U5MK1027, 4225538M1) that contains 4 x **30/47-607** inlet valve stem seal and 4 x **30/47-608** exhaust valve stem seal.

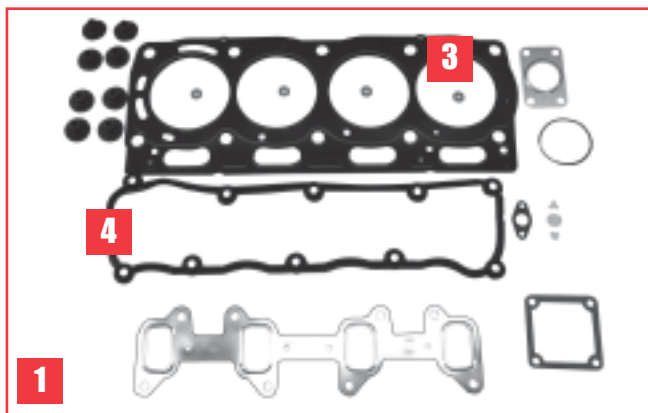
(A) Las primeras juntas de montaje de la válvula de admisión y escape (2418M514, 4224763M1) están sustituidas por **30/47-606** (U5MK1027, 4225538M1) este equipo contiene 4 x **30/47-607** (junta de válvula de admisión) & 4 x **30/47-608** (junta de válvula de escape).

ROCKER SHAFTS & ARMS
BALANCINES

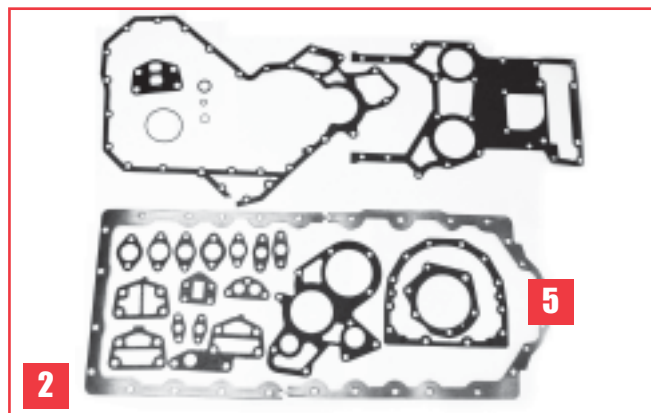


Tractors <i>Tractores</i>	Engine <i>Motor</i>	1 <i>Culbuteur G. Rocker arm LH</i>	2 <i>Rocker arm RH Balancin Dcho.</i>	3 <i>Rocker arm bush Casquillo de balancin</i>	4 <i>Push rod Empujador</i>	5 <i>Tappet Taquet</i>
3 cylinder engines / Motores 3 cilindros						
410	1103C-33	30/50-606 (4115R314, 4225020M91)	30/50-607 (4115R315, 4225021M91)	-	30/53-2 (31434307, 733817M1)	30/54-3 (3142U031, 4222069M1)
420, 430 3425	1103C-33T					
4 cylinder engines / Motores 4 cilindros						
3435 5425, 5435	1104C-44	30/50-606 (4115R314, 4225020M91)	30/50-607 (4115R315, 4225021M91)	-	30/53-2 (31434307, 733817M1)	30/54-3 (3142U031, 4222069M1)
3445, 3455 5445, 5455, 5460 6445, 6455	1104C-44T, 1104C-44TA					
6460, 6470	1104C-E44TA					
6 cylinder engines / Motores 6 cilindros						
5465 6465, 6475, 6480 7465, 7475, 7480	1106C-E60TA	30/50-608 (4115R006, 4115R008, 4222157M1, 4224543M1)	30/50-609 (4115R005, 4115R007, 4222159M1, 4224544M1)	30/6052-608 (31134166, 3112A003 4222158M1, 4224553M1)	30/53-2 (31434307, 733817M1)	30/54-3 (31434163, 3142U031, 740671M1, 4222069M1)

ENGINE GASKET SETS JUNTAS DE MOTOR



Illustrated / Ilustrado : 30/71-607



Illustrated / Ilustrado : 30/72-608

		1	2	3	4	5
Tractors Tractores	Engine Motor	Top gasket set Juego de jun. sup.	Bottom gasket set Juego de jun. inf.	Cyl. head gasket Junta culata	Rocker cover gasket Junta tapa de balacín	Sump gasket Junta de cárter
3 cylinder engines / Motores 3 cilindros						
410	1103C-33	30/71-606 (U5LT0351, U5LT0355, 4225304M91, 4226197M91)	30/72-606 (U5LB0379, 4225303M91)	30/73-606 (3681E045, 3681E049, 4225270M1, 4225388M1)	30/74-606 (3681A057, 4225269M1)	30/75-606 (3681K038, 4225271M1)
420, 430 3425	1103C-33T					
4 cylinder engines / Motores 4 cilindros						
3435 5425, 5435	1104C-44	30/71-607 (U5LT0350, U5LT0357, 4225163M91, 4225545M91, AG137256)	30/72-607 (U5LB0377, U5LB0383, 4225056M91, 4225857M91)	30/73-607 (3681E046, 3681E051, 4225140M1, 4225850M1)	30/74-607 (3681A055, 4224954M1)	30/75-607 (3681K036, 4224957M1)
3445, 3455	1104C-44T,		30/72-609 (U5LB0378, U5LB0384, 4225302M91, 4226783M91)			
5445, 5455, 5460 6445, 6455	1104C-44T, 1104C-44TA		30/72-607 (U5LB0377, U5LB0383, 4225056M91, 4225857M91)			
6460, 6470	1104C-E44TA					
6 cylinder engines / Motores 6 cilindros						
5465 6465, 6475, 6480 7465, 7475, 7480	1106C-E60TA	30/71-608 (U5LT0349, 4225058M91)	30/72-608 (U5LB0374, 4225055M91)	30/73-608 (3681E043, 4224955M1)	30/74-608 (3681A054, 4224702M1)	30/75-113 (3681M007, 3638431M1)
5465 6465, 6475, 6480 7465, 7475, 7480 With pneumatic brake / Con freno neumático			30/72-610 (U5LB0372, 4225054M91)			

Part numbers are quoted for reference purposes only.
Our parts and accessories are not original.

"THE RELIABLE SERVICE"

Las referencias originales tienen un propósito identificativo. Nuestras piezas no son originales.

FILTRATION
FILTRACION



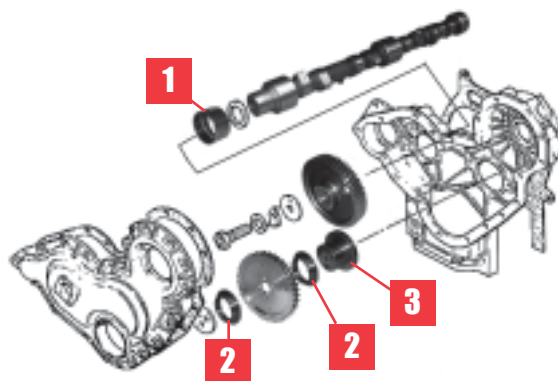
		1	2	3	4
Tractors <i>Tractores</i>	Engine <i>Motor</i>	Oil filter <i>Filtro aceite</i>	Fuel filter <i>Filtro combustible</i>	Outer air filter <i>Filtro de aire ext.</i>	Inner air filter <i>Filtro de aire int.</i>
3 cylinder engines / Motores 3 cilindros					
410	1103C-33	60/97-2 (2654403, 1447048M1)	60/111-177 (26560163, 4225377M1, 4225393M1)	60/161-142 (0018404U1)	60/162-142 (0014744U1)
420, 430	1103C-33T			60/161-104 (2.4249.131.0, 72281455)	60/162-25 (72257757)
3425					
4 cylinder engines / Motores 4 cilindros					
3435	1104C-44	60/97-3 (2654407, 1447031M1)	60/111-176 (26560201, 4224811M1)	60/161-104 (2.4249.131.0, 72281455)	60/162-25 (72257757)
3445, 3455	1104C-44T				
5425, 5435	1104C-44			60/161-119 (3901464M1)	60/162-119 (3901465M1)
5445, 5455 6445, 6455 High Visibilty	1104C-44T				
5445, 5445 6445, 6455					
5460	1104C-44TA			60/161-174 (3907001M1, 4270033M1)	60/162-174 (3907002M1, 4270034M1)
6460, 6470	1104C-E44TA				
6 cylinder engines / Motores 6 cilindros					
5465 6465, 6475, 6480 7465, 7475, 7480	1106C-E60TA	60/97-2 (2654403, 1447048M1)	60/111-92 (26560141, 4224701M1)	60/161-167 (4271467M1)	60/162-167 (4271468M1)

Part numbers are quoted for reference purposes only.
Our parts and accessories are not original.

"THE RELIABLE SERVICE"

Las referencias originales tienen un propósito indentifica-
tivo. Nuestras piezas no son originales.

TIMING GEAR DISTRIBUCIÓN



		1	2	3
Tractors Tractores	Engine Motor	Camshaft gear Piñón árbol de levas	Idler gear bush Casquillo	Idler hub Espaciador
3 cylinder engines / Motores 3 cilindros				
410	1103C-33	30/56-606 (3112D071, 4224829M1)	-	-
420	1103C-33T		30/84-8 (0050345, 731033M1)	30/83-601 (33426161, 3272A026, 3311A054, 735852M1, 4225414M1, 4226761M1)
430				
3425				
4 cylinder engines / Motores 4 cilindros				
3435 5425, 5435	1104C-44	30/56-606 (3112D071, 4224829M1)	30/84-8 (0050345, 731033M1)	30/83-601 (33426161, 3272A026, 3311A054, 735852M1, 4225414M1, 4226761M1)
3445, 3455 5445, 5455, 5460 6445, 6455	1104C-44T, 1104C-44TA			
6460, 6470	1104C-E44TA			
6 cylinder engines / Motores 6 cilindros				
5465 6465, 6475, 6480 7465, 7475, 7480	1106C-E60TA	30/56-1 (31134165, 4222017M1)	30/84-8 (0050345, 731033M1)	30/83-601 (33426161, 3272A026, 3311A054, 735852M1, 4225414M1, 4226761M1)

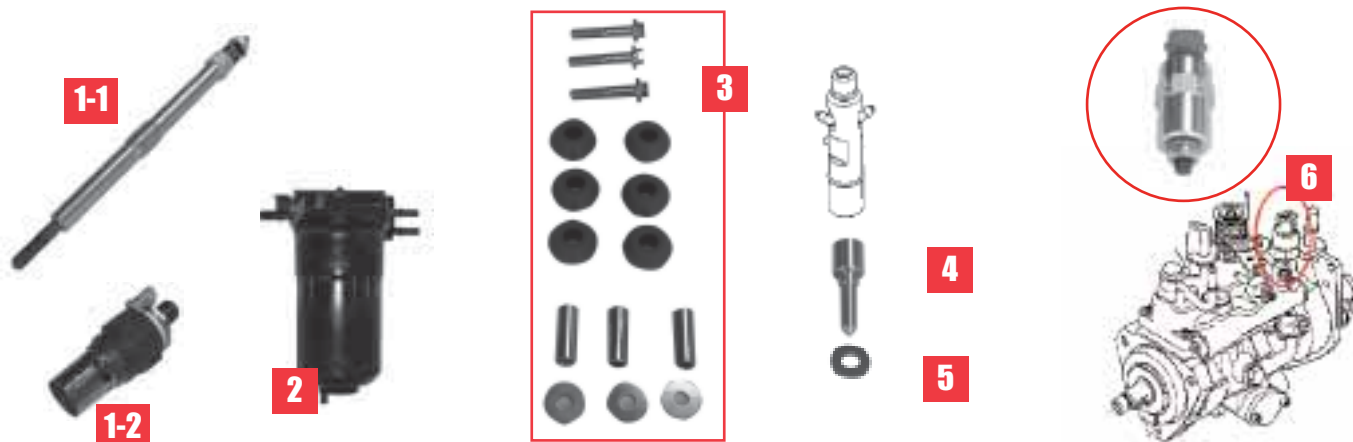
LUBRIFICATION
LUBRICACIÓN



		1	2	3	4
Tractors <i>Tractores</i>	Engine <i>Motor</i>	Oil filler cap <i>Tapón aceite</i>	Sump drain plug <i>Tapón de vaciado</i>	Plug "O" ring <i>Tórica del tapón</i>	Oil pump <i>Bomba de aceite</i>
3 cylinder engines / Motores 3 cilindros					
410	1103C-33	30/85-22 (4142X098, 3641889M1)	30/88-1 (32186405, 748160M1)	30/6088-600 (2415715, 3638382M1)	30/90-606 (4132F071, 4225294M1) 4-1
420	1103C-33T				30/90-607 (4132F072, 4225295M1) 4-1
430, 3425					
4 cylinder engines / Motores 4 cilindros					
3435 5425, 5435	1104C-44	30/85-22 (4142X098, 3641889M1)	30/88-1 (32186405, 748160M1)	30/6088-600 (2415715, 3638382M1)	-
3445, 3455 5445, 5455, 5460 6445, 6455	1104C-44T, 1104C-44TA				-
6460, 6470	1104C-E44TA				-
6 cylinder engines / Motores 6 cilindros					
5465 6465, 6475, 6480 7465, 7475, 7480	1106C-E60TA	30/85-22 (4142X098, 3641889M1)	30/88-1 (32186405, 748160M1)	30/6088-600 (2415715, 3638382M1)	30/90-608 (4132F067, 4225034M1) 4-2

PUMPS & INJECTION

BOMBAS Y SISTEMA DE INYECCIÓN



		1	2	3	4	5	6
Tractors Tractores	Engine Motor	Thermostart Calentador	Electric lift pump Bomba eléctrica	Mounting kit Juego de montaje	Injector nozzle Toberas de inyector	Nozzle washer Arandella tobera	Shut-off solenoid Solenoido paro
3 cylinder engines / Motores 3 cilindros							
410	1103C-33	30/60-606 (2666A016, 4224813M1) 1-1	30/100-606 (4132A015, 4132A016, ULPK0039, 4225293M91, 4226625M91)	30/101-606 (U5MK1171, U5MK1021) 4225307M91)	30/117-606 (2645K613, 4224800M1)	30/118-606 (L311FF02, 3641568M1)	30/7101-6 (26420469, 4224321M1)
420, 430 3425	1103C-33T				30/117-607 (2645K611, 4224799M1)		
4 cylinder engines / Motores 4 cilindros							
3435 5425, 5435	1104C-44	30/60-606 (2666A016, 4224813M1) 1-1	30/100-607 (4134M004, 4132A008, 4132A014, 4132A018, ULPK0038, 4225044M1, 4225183M1, 4226484M1)	101-607 (U5MK1017, U5MK0696, 4225209M91, 4225068M91)	30/117-606 (2645K613, 4224800M1)	30/118-606 (L311FF02, 3641568M1)	30/7101-19 (26420310, 26420518, 4225404M1, V836662531)
3445, 3455 5445, 5455, 6445, 6455	1104C-44T				30/117-607 (2645K611, 4224799M1)		
5460	1104C-44TA				30/117-609 (2645K612, 4225125M1)		-
6460, 6470	1104C-E44TA				-		-
6 cylinder engines / Motores 6 cilindros							
5465 6465, 6475, 6480 7465, 7475, 7480	1106C-E60TA	30/60-608 (2666A015, 4223450M1) 1-2	30/100-608 (ULPK0035, ULPK0036, 4224706M91, 4225162M1)	-	(A) 30/6117-608 (2645F027, 4224705M1)	30/118-606 (3311A011, L311FF02, 4224887M1, 3641568M1)	-

(A) 30/6117-608 (2645F027, 4224705M1) is a complete injector / es un sistema completo de inyección

COOLING SYSTEM
REFRIGERACIÓN



		1	2	3	4	5	6	
Tractors <i>Tractores</i>	Engine <i>Motor</i>	Water pump <i>Bomba de agua</i>	Repair kit <i>Juego de reparación</i>	By-pass hose <i>Manguito deriv.</i>	Thermostat <i>Termostato</i>	Thermostat gasket <i>Junta termostato</i>	Thermostat cover with thermostat <i>Tapa + termostato</i>	
3 cylinder engines / Motores 3 cilindros								
410	1103C-33	(U5MW0197, U5MW0207, 4225308M91, 4226943M91) Low Flow / <i>Bajo flujo</i> use / utilizar 30/130-607 (U5MW0194, U5MW0206, 4225069M91, 4226913M91) Hg flow/ <i>Alto flujo</i> 1-1	30/131-607 (U7LW0172, 4225070M91) High Flow / <i>Alto flujo</i> For / Para 30/130-607	-	-	-	30/149-606 (4133L507, 4225430M1) 6-1	
420, 430	1103C-33T			-				
3425				-				30/149-607 (4133L508, 4225444M1) 6-2
4 cylinder engines / Motores 4 cilindros								
3435	1104C-44	30/130-607 (U5MW0194, U5MW0206, 4225069M91, 4226913M91) 1-1	30/131-607 (U7LW0172, 4225070M91)	-	-	-	30/149-607 (4133L508, 4225444M1) 6-2	
3445, 3455	1104C-44T			-				
5425, 5435	1104C-44			-			30/147-606 (2415H008, 2415H219, 4224755M1, 4225843M1)	
5445, 5455, 5460 6445, 6455	1104C-44T, 1104C-44TA			-				Steep nose / <i>Frontal inclinado</i> 30/149-609 (4133L509, 4225397M1) 6-3
6460, 6470	1104C-E44TA			-				30/149-606 (4133L507, 4225430M1) 6-1
6 cylinder engines / Motores 6 cilindros								
5465 6465, 6475, 6480 7465, 7475, 7480	1106C-E60TA	30/130-608 (U5MW0196, 4224708M91) 1-2	30/131-198 (U7LW0173, 4224675M91)	30/141-132 (U5MH0056, 4222846M91)	30/143-60 (2485C034, 4224624M1)	30/147-18 (2415H492, 4223842M1)	-	

Part numbers are quoted for reference purposes only.
Our parts and accessories are not original.

"THE RELIABLE SERVICE"

Las referencias originales tienen un propósito indentifica-
tivo. Nuestras piezas no son originales.

BELTS, ALTERNATOR & STARTER MOTOR

CORREAS, ALTERNADOR Y MOTOR ARRANQUE



		1	2	3	4
Tractors Tractores	Engine Motor	Fan belt Correa	Compressor belt Correa del compresor	Alternator Alternador	Starter motor Motor arranque
3 cylinder engines / Motores 3 cilindros					
410	1103C-33	(A) 30/144-128 (3637306M91)	-	62/920-194 (0013593U91)	62/930-200 (4225326M91, 4270745M2)
420, 430			-		
3425	1103C-33T	30/144-680 (72284689, 2.4119.186.0) With A/C / Con acond. 30/144-681 (72284688, 2.4119.185.0)	30/144-688 (72284686, 2.4119.182.0)	14V - 65A 62/920-30 (72277319, 2.9439.420.0/1) With A/C / Con acond. 14V - 85A 62/920-48 (72276716, 2.9439.460.0/1)	62/930-243 (72284694, 2.9619.480.0)
4 cylinder engines / Motores 4 cilindros					
3435	1104C-44	30/144-682 (72257587, 2.4119.098.0) With A/C / Con acond.	30/144-688 (72284686, 2.4119.182.0)	14V - 65A 62/920-30 (72277319, 2.9439.420.0/1) With A/C / Con acond.	62/930-180 (72284368, 2.9619.460.0)
3445, 3455	1104C-44T	30/144-683 (72284687, 2.4119.183.0)		14V - 85A 62/920-48 (72276716, 2.9439.460.0/1)	
5425, 5435		30/144-684 (A) (4274693M91)	30/144-222 (3389525M1)	14V - 80A With single pulley Con simple polea	62/930-180 (3821818M94)
5425, 5435 High visibility	1104C-44	30/144-685 (A) (3780604M91) or/o 30/144-686 (A) (3777681M91)	30/144-272 (3714894M1)	62/920-192 (3821974M91)	
5445, 5455, 5460	1104C-44T, 1104C-44TA	30/144-687 (A) (4274692M91)	30/144-222 (3389525M1)	14V - 120A Without pulley Sin polea	
5445, 5455 High visibility	1104C-44T	30/144-685 (A) (3780604M91)	30/144-272 (3714894M1)	62/920-156 (3788017M92)	

(A) Pair of raw edged cogged belts / Par de correas dentada

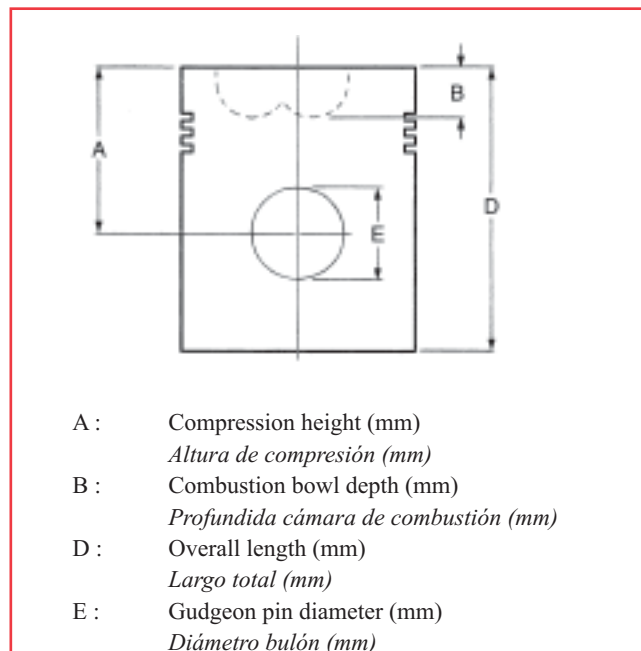
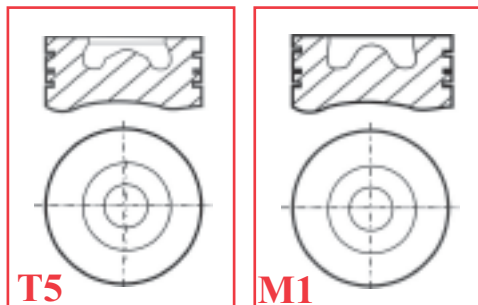
BELTS, ALTERNATOR & STARTER MOTOR
CORREAS, ALTERNADOR Y MOTOR ARRANQUE

		1	2	3	4
Tractors <i>Tractores</i>	Engine <i>Motor</i>	Fan belt <i>Correa</i>	Compressor belt <i>Correa del compresor</i>	Alternator <i>Alternador</i>	Starter motor <i>Motor arranque</i>
4 cylinder engines / Motores 4 cilindros					
6445, 6455	1104C-44T	(A) 30/144-687 (4274692M91)	30/144-689 (3787792M1)	14V - 80A With single pulley <i>Con simple polea</i> 62/920-192 (3821974M91)	62/930-180 (3821818M94)
6445 High Visibility (Steep Nose)		(A) 30/144-685 (3780604M91)	30/144-690 (4276808M1)		
6455 High Visibility (Steep Nose)			30/144-691 (4277220M1)		
6460, 6470	1104C-E44TA	(A) 80A Alt. 30/144-687 (4274692M91) (A) 120A Alt. 30/144-243 (3780138M91)	30/144-692 (4275784M1)	14V - 120A With double pulley <i>Con doble polea</i> 62/920-132 (3821976M92)	
6 cylinder engines / Motores 6 cilindros					
5465	1106C-E60TA	(A) 30/144-242 (3779379M91)	30/144-693 (4272496M1)	14V - 80A With single pulley <i>Con simple polea</i> 62/920-192 (3821974M91) 14V - 120A Without pulley <i>Sin polea</i> 62/920-156 (3788017M92)	62/930-181 (3823621M91)
6465 7465		(A) 30/144-101 (3780608M91)	30/144-694 (3789028M1)		
6475 6480 (>N285073 & >N293019 with pneu- matic brake/ <i>freno neum</i>) 7475 7480 (>20-10-2004 & >31-12-2004 with pneumatic brake/ <i>freno neumático</i>)		(A) 30/144-242 (3779379M91)	30/144-695 (4273270M1)	14V - 80A With single pulley <i>Con simple polea</i> 62/920-192 (3821974M91) 14V - 120A With double pulley <i>Con doble polea</i> 62/920-132 (3821976M92)	
6480 (N285074> & N293020> with pneu- matic brake/ <i>freno neum</i>) 7480 (21-10-2004> & 01-01-2005> with pneumatic brake/ <i>freno neum.</i>) (With vistronic fan/ <i>Con vistronic</i>)		(A) 30/144-245 (3780606M91)	30/144-696 (4273269M1)		

(A) Pair of raw edged cogged belts / *Par de correas dentada*

PISTONS & RING SETS

PISTONES Y JUEGOS DE SEGMENTOS

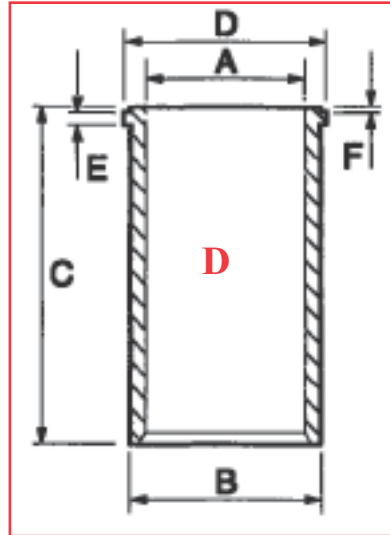
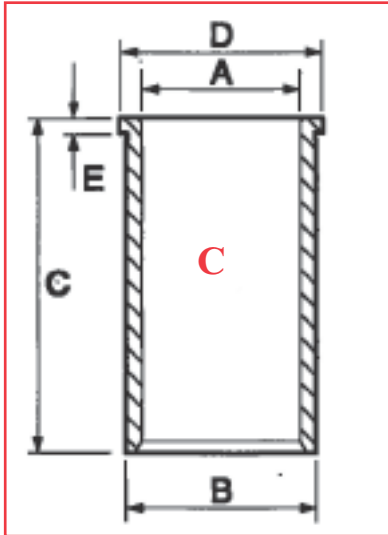


Ref. Ref.	Type Tipo	Bore Ø Dia. Ø	Rings Segm.	Al-fin Al-fin	A (mm)	B (mm)	D (mm)	E (mm)
30/33-606	T5	105	3	n	70.05	22.50	108.00	39.70
30/33-607	M1	105	3	y	70.05	21.90	108.00	39.70
30/33-608	M1	100	3	y	70.20	21.70	108.20	39.70

Ref. Ref.	Bore Ø Dia. Ø	No.1		No.2		No.3	
30/34-606	105	MP1	2.50	T5	2.50	CBEH	3.50
30/34-607	105	MK1	3.35	T5	2.50	CBEH	3.50
30/34-608	100	MK1	3.46	TN1	2.50	CBEH	3.50

CBEH : Chrome plated bevelled edge with helical coil spring / *Cromado y rebajado con muelle helicoidal*
 MK1 : Molybdenum coated keystone / *Trapezoidal ambos lados con recubrimiento de Molibdeno en cara exterior*
 MP1 : Molybdenum coated parallel faced / *Rectangular molibdeno*
 T5 : Taper faced internally bevelled bottom (Reverse torsion) / *Exteriormente cónico con escalón*
 TN1 : Taper faced napier / *Tipo Napier o "pico de aguilá" cónico*

LINERS & ENGINE VALVES
CAMISAS Y VÁLVULAS



- A : Nominal bore diameter (mm) / Diámetro interior (mm) D : Flange diameter (mm) / Grueso de pestaña (mm)
 B : Outside diameter (mm) / Diámetro exterior (mm) E : Flange width (mm) / Anchura pestaña (mm)
 C : Overall length (mm) / Largo total (mm) F : Fire lip height (mm) / Altura cortafuego (mm)

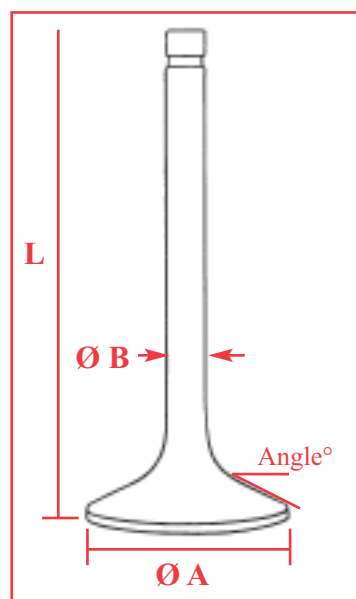
Fully-finished liners / Camisas terminadas

Ref. Ref.	Type Tipo	A (mm)	B (mm)	C (mm)	D (mm)	E (mm)	F (mm)
30/35-173	D	100.00	104.23	227.45	107.44	3.86	0.84
30/35-606	C	105.00	108.05	227.00	109.40	5.10	-

Semi-finished liners / Camisas semi-terminadas

Ref. Ref.	Type Tipo	A (mm)	B (mm)	C (mm)	D (mm)	E (mm)	F (mm)
30/36-173	D	99.23	104.28	227.45	107.44	3.86	0.84
30/36-606	C	104.20	108.05	227.00	109.40	5.10	-

Inlet / Admisión				
Ref. Ref.	ØA (mm)	ØB (mm)	L (mm)	Angle (°)
30/42-61	43.00	8.97	122.98	30
30/42-606	46.35	8.97	129.10	30



Escape / Outlet				
Ref. Ref.	ØA (mm)	ØB (mm)	L (mm)	Angle (°)
30/43-62	41.00	8.95	122.98	45
30/43-606	41.65	8.95	129.10	30

Replacement Parts Suitable for

Perkins 1100C

A leading worldwide brand in agricultural tractor parts and accessories since 1958.

Bepco-Tracpièces Group is your guarantee in quality, service and competitive pricing.

Quality is ...

“THE RELIABLE SERVICE”