

Replacement Parts Suitable for
Massey Ferguson Brazil

BEPCO-TRACPIECES
Your Global Supplier

Massey Ferguson Brazil

Tractor Parts
& accessories

www.tracpieces-online.com

Bepco Group



Bepco House - Hartlebury Trading Estate
Worcestershire - DY104JB Hartlebury (UK)

Tel.: +(44) 12 99 25 2200
Fax: +(44) 12 99 25 2201

Bepco (U.K) Ltd.

Bepco House - Hartlebury Trading Estate
Worcestershire - DY104JB Hartlebury (UK)

Tel.: +(44) 12 99 25 2270
Fax: +(44) 800 21 6553

Tracpieces Benelux s.a.



Rue de Waremme, 114
B-4530 Villers-le-Bouillet (Belgique/Belgie)

Tel.: +(32) 04 257 98 00
Fax: 0800 23 132

Tracpieces France s.a. Agridieces Sud-Ouest Distribution s.a.



“La Plaine”
47520 Le Passage (France)

Tel.: +(33) 553 96 31 25
Tel.: +(33) 327 83 53 12
Fax: +(33) 553 68 03 72
Fax: +(33) 327 81 23 13

Tracpieces Ersatzteile GmbH



Neuer Weg 5 - Gewerbegebiet Lohner Klei
D-59505 Bad-Sassendorf

Tel.: +(49) 5251 77 903 66
Fax: +(49) 5251 77 903 77

Tracpieces Nederland b.v.



Den Dolvert, 10
NL-5473 GP Heeswijk-Dinther (Nederland)

Tel.: +(31) 413 293 975
Fax: +(31) 413 294 087

Europea de Recambios s.a.



Poligono Industrial Les Guixeres, C/. Xarol, 7
08915 - BADALONA (Barcelona)

Tel.: +(34) 93 381 00 62
Fax: +(34) 93 381 33 45

Bepco Australasia (Head office)



Factory 5, 1 Melverton Drive
Hallam 3803 Victoria (Australia)

Tel.: +(61) 397 96 54 22
Fax: +(61) 397 96 52 51

Bepco South Africa (Pty) Ltd.



CNR Rudo Nell / Kelly St.
Jet Park Boksburg, Johannesburg (South Africa)

Tel.: +(27) 11 3975386/9
Fax: +(27) 11 3973039

INDEX
INDEX

| | | | |
|--------------------------------------------------------|-------|-------------------------------------------------------------|-------|
| Bielles & Pièces connexes | 6 | <i>Belts, alternators & Starters motor</i> | 28-30 |
| Chemises & Soupapes (Détails technique)..... | 32 | <i>Connecting rods & Related parts</i> | 6 |
| Courroies, alternateurs et démarreurs | 28-30 | <i>Cooling system</i> | 26-27 |
| Culasse et pièces connexes | 9-10 | <i>Crankshaft & Related parts</i> | 3-5 |
| Culbuteurs | 11 | <i>Cylinder head parts.....</i> | 9-10 |
| Distributions | 17-18 | <i>Engine gaskets sets</i> | 12-13 |
| Filtres | 14-16 | <i>Filters</i> | 14-16 |
| Joints de moteur | 12-13 | <i>Liners & Engine valves (Technical details)</i> | 32 |
| Lubrification | 19-22 | <i>Lubrication</i> | 19-22 |
| Pistons, jeux de segments & Chemise | 7-8 | <i>Pistons, rings sets & Liners</i> | 7-8 |
| Pistons, jeux de segments (Détails technique) | 31 | <i>Pistons, rings sets (Technical details)</i> | 31 |
| Pompe & Système d'injection | 23-25 | <i>Pumps & Injection</i> | 23-25 |
| Refroidissement | 26-27 | <i>Rocker shaft & Arms</i> | 11 |
| Tableaud'identification des tracteurs et moteurs | 2 | <i>Timing gear</i> | 17-18 |
| Villebrequin & Pièces connexes..... | 3-5 | <i>Tractor and engine application chart.....</i> | 2 |

TABLEAUX D'IDENTIFICATION DES TRACTEURS ET MOTEURS

TRACTOR AND ENGINE APPLICATION CHART

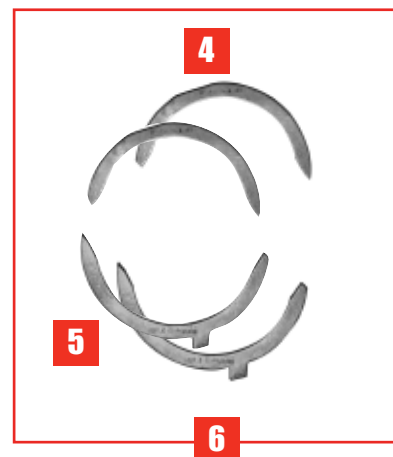
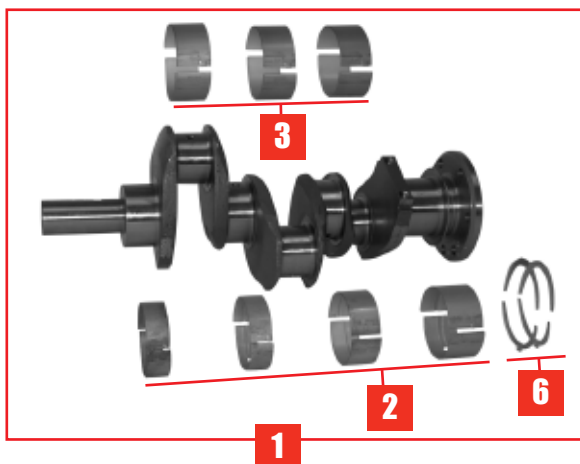
| Tracteur Tractor | Moteur Engine | Cyl. Cyl. | Alésage mm Bore mm |
|----------------------------------|-------------------------|--------------|-----------------------|
| Serie 200 series | | | |
| 250X | AD3.152 | 3 | 91.49 |
| 265 | A4.236 | 4 | 98.48 |
| 275 | P4000 | 4 | 101.05 |
| 283 | P4000 | 4 | 101.05 |
| 290 | P4000 | 4 | 101.05 |
| 292 | P4000T | 4 | 101.05 |
| 297 | 1006-6 (Blue) (UK) | 6 | 100.00 |
| 299 | 1006-6T (Blue) (UK) | 6 | 100.00 |
| 299 | 1006-6T (Blue) (Brazil) | 6 | 100.00 |
| Serie 200 Advanced series | | | |
| 250X Adv. | AD3.152 | 3 | 91.49 |
| 265 Adv. | A4.236 | 4 | 98.48 |
| 275 Adv. | P4000 | 4 | 101.05 |
| 283 Adv. | P4000 | 4 | 101.05 |
| 290 Adv. | P4000 | 4 | 101.05 |
| 292 Adv. | P4000T | 4 | 101.05 |
| 297 Adv. | 1006-6 (Blue) (Brazil) | 6 | 100.00 |
| 298 Adv. | 1006-6 (Blue) (Brazil) | 6 | 100.00 |
| 299 Adv. | 1006-6T (Blue) (Brazil) | 6 | 100.00 |
| Serie 400 series | | | |
| 415 | AD3.152 | 3 | 91.49 |
| 425 | A4.236 | 4 | 98.48 |
| 435 | P4000 | 4 | 101.05 |
| 440 | P4000 | 4 | 101.05 |
| 445 | P4000 | 4 | 101.05 |
| 460 | P4000T | 4 | 101.05 |
| 465 | 1006-6 (Blue) (Brazil) | 6 | 100.00 |
| 475 | 1006-6T (Blue) (Brazil) | 6 | 100.00 |
| Serie 600 series | | | |
| 610 | P4000 | 4 | 101.05 |
| 610 Turbo | P4000T | 4 | 101.05 |
| 620 | P4000T | 4 | 101.05 |
| 630 | 1006-6 (Blue) (UK) | 6 | 100.00 |
| 630 | 1006-6 (Blue) (Brazil) | 6 | 100.00 |
| 640 | 1006-6 (Blue) (UK) | 6 | 100.00 |
| 640 | 1006-6 (Blue) (Brazil) | 6 | 100.00 |
| 640 Turbo | 1006-6T (Blue) (Brazil) | 6 | 100.00 |
| 650 | 1006-6T (Blue) (UK) | 6 | 100.00 |
| 650 | 1006-6T (Blue) (Brazil) | 6 | 100.00 |
| 660 | 1006-6T (Blue) (UK) | 6 | 100.00 |
| 660 | 1006-6T (Blue) (Brazil) | 6 | 100.00 |
| 680 | 1006-6T (Blue) (UK) | 6 | 100.00 |
| 680 | 1006-6T (Blue) (Brazil) | 6 | 100.00 |
| Serie 600 Advanced series | | | |
| 650 Adv. | 1006-6T (Blue) (Brazil) | 6 | 100.00 |
| 660 Adv. | 1006-6T (Blue) (Brazil) | 6 | 100.00 |
| 680 Adv. | 1006-6T (Blue) (Brazil) | 6 | 100.00 |
| Serie 5200 series | | | |
| 5275 | A4.41 (UK) | 4 | 101.05 |
| 5275 | P4001 | 4 | 101.05 |
| 5285 | A4.41 (UK) | 4 | 101.05 |
| 5285 | P4001 | 4 | 101.05 |
| 5290 | A4.41 (UK) | 4 | 101.05 |
| 5290 | P4001 | 4 | 101.05 |

| Tracteur Tractor | Moteur Engine | Cyl. Cyl. | Alésage mm Bore mm |
|--------------------------|------------------------|--------------|-----------------------|
| Serie 5300 series | | | |
| 5300 | 1004-4T (Blue) (UK) | 4 | 100.00 |
| 5300 | P4001T | 4 | 101.05 |
| 5310 | 1004-4T (Blue) (UK) | 4 | 100.00 |
| 5310 | P4001T | 4 | 101.05 |
| 5320 | 1006-6 (Blue) (UK) | 6 | 100.00 |
| 5320 | 1006-6 (Blue) (Brazil) | 6 | 100.00 |
| 5335 | P4001 | 4 | 101.05 |
| 5340 | P4001 | 4 | 101.05 |
| 5355 | P4001T | 4 | 101.05 |
| 5360 | P4001T | 4 | 101.05 |
| 5365 | 1006-6 (Blue) (Brazil) | 6 | 100.00 |

N.B. Adv. est l'abréviation de "Advanced"

N.B. Adv. is an abbreviation for Advanced

VILLEBREQUIN & PIECES CONNEXES
CRANKSHAFT & RELATED PARTS



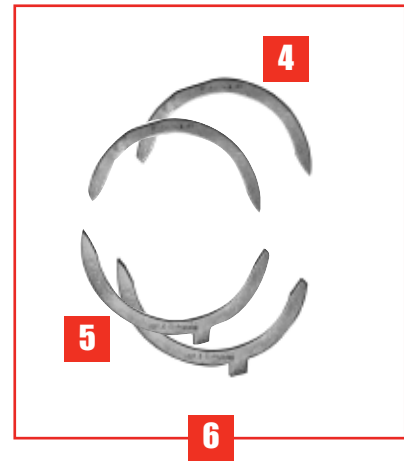
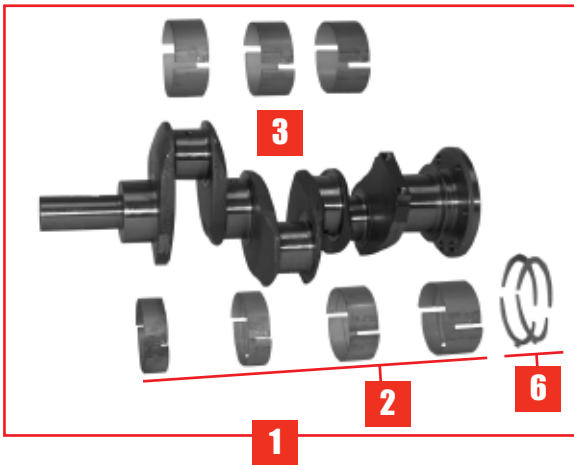
| Tracteurs Tractors | Moteur Engine | 1 Jeu vilebrequin Crankshaft kit | 2 Couss. de palier Main bear. set | 3 Couss. de bielle Conrod bear. set | 4 Epaisseur avant Top Thrust washer | 5 Epaisseur arrière Bot. Thrust washer | 6 Jeu d'épaisseur lat. Thrust washer kit |
|-----------------------------------------------------------------------------------------------------------|---------------------------|--------------------------------------------------------------------------------------------------------------------------------------------------------|--------------------------------------------------------------------|-------------------------------------------------------------------------|---------------------------------------------------------------------------------------------|---------------------------------------------------------------------------------------------|------------------------------------------------|
| Moteur 3 cylindres / 3 cylinder engines | | | | | | | |
| 250X, 250X Adv. 415 | AD3.152 | 30/1-5 (ZZ90150, 3641858M91) | 30/2-1 (68084, 746156M91) | 30/3-1 (85036, 737070M91) | 30/4-1 (31137211, 735112M1) & 30/4-150 (31137235, 747323M1) | 30/5-1 (31137221, 735113M1) & 30/5-150 (31137245, 747325M1) | - |
| Moteur 4 cylindres / 4 cylinder engines | | | | | | | |
| 265, 265 Adv. 425 | A4.236 | 30/1-150K (A) (S4004) | 30/2-150 (423669) | 30/3-150 (423670) | 30/4-3 (31137551, 747128M1) | 30/5-3 (31137561, 747129M1) | 30/6-3 (U5TW0002), 424808) |
| 275, 275 Adv. 283, 283 Adv. 290, 290 Adv. 435, 440, 445 610 5275, 5285, 5290 5335, 5340 | P4000 P4001 | | | | | | |
| 292, 292 Adv. 460, 610 Turbo, 620, 5300, 5310, 5355, 5360 | P4000T P4001T | 30/1-151K (A) (S4025) | | 30/3-151 (4236114) | | | |
| 5275, 5285, 5290 | A4.41 (UK) | 30/1-42 (ZZ90143, ZZ90145, ZZ90202, ZZ90212, ZZ90238, 3640408M91, 3641031M91, 4223939M91, 4224669M91, 4227066M91) | 30/2-3 (81558, U5MB0034, 735168M91, 4227070M91) | 30/3-3 (85042, 736950M91) | | | |
| 5300, 5310 | 1004-4T (Blue) (UK) | | | 30/3-28 (U5ME0006, 3637791M91) Avec onglet With tabs | 30/3-153 (U5ME0034, 4226914M91) Sans onglet Without tabs | | |

N.B. :Les coussinets de palier et de bielle sont disponibles en cote réparation 0.010" - 0.020" - 0.030". Ajouter respectivement les suffixes A, B, ou C.
N.B.: Main and conrod bearing sets are available in 0.010" - 0.020" - 0.030" undersize. Please add the suffix A, B or C respectively.

(A) Le vilebrequin seul est livrable sous la référence de commande **30/1-150NU** (70998009).

(A) The crankshaft only is available. Order **30/1-150NU** (70998009).

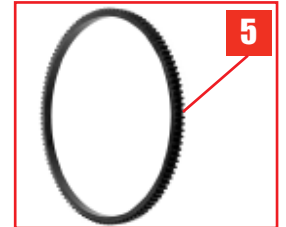
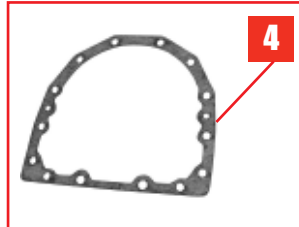
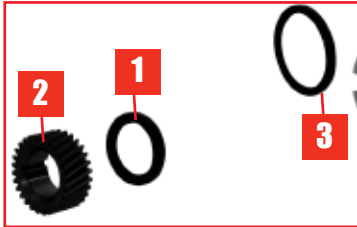
VILLEBREQUIN & PIECES CONNEXES
CRANKSHAFT & RELATED PARTS



| | | 1 | 2 | 3 | 4 | 5 | 6 | | |
|--------------------------------------------------------------------|-------------------------------|----------------------------------------------------------------|-------------------------------------------------------|---------------------------------------------------------------------------------|------------------------------------------|------------------------------------------|-------------------------------------------|------------------------------------------------------------------------------------|----------------------------------------------------------------------------------------------------|
| Tracteurs Tractors | Moteur Engine | Jeu vilebrequin Crankshaft kit | Couss. de palier Main bear. set | Couss. de bielle Conrod bear. set | Epaisseur avant Top Thrust washer | Epaisseur arrière Bot. Thrust washer | Jeu d'épaisseur lat. Thrust washer kit | | |
| Moteur 6 cylindres / 6 cylinder engines | | | | | | | | | |
| 297 630, 640 5320 | 1006-6 (Blue) (UK) | 30/1-72 (S1027, S1028, ZZ90218, 4224659M91) | 30/2-52 (S1025, U5MB0007, 3637020M91) | 30/3-4 (635437, 85043, 736934M91) | 30/4-3 (31137551, 747128M1) | 30/5-3 (31137561, 747129M1) | 30/6-3 (U5TW0002, 424808) | | |
| 297 Adv., 298 Adv., 465, 630, 640 5320, 5365 | 1006-6 (Blue) (Brazil) | | | | | | | | |
| 299, 650, 660 | 1006-6T (Blue) (UK) | | | 30/1-32 (S1026, ZZ90219, ZZ90229, 4224713M91, 4226479M91) | | | | 30/2-45 (U5MB0010, 3640873M91) | 30/3-29 (635474, U5ME0003, 1076802M91, 3637024M91) Avec onglets With tabs |
| 299, 299 Adv., 475, 640 Turbo 650, 650 Adv. 660, 660 Adv. | 1006-6T (Blue) (Brazil) | | | | | | | 30/2-155 (S1024, U5MB0022, U5MB0030, 4226520M91, 4226952M91) | |
| 680 | 1006-6T (Blue) (UK) | | | | | | | | |
| 680, 680 Adv. | 1006-6T (Blue) (Brazil) | | | | | | | | |

N.B. : Les coussinets de palier et de bielle sont disponibles en cote réparation 0.010"- 0.020"- 0.030". Ajouter respectivement les suffixes A, B, ou C.
N.B.: Main and conrod bearing sets are available in 0.010" - 0.020" - 0.030" undersize. Please add the suffix A, B or C respectively.

VILLEBREQUIN & PIÈCES CONNEXES
CRANKSHAFT & RELATED PARTS



| | | 1 | 2 | 3 | 4 | 5 |
|-----------------------|------------------|---------------------------------|---------------------------|------------------------------------|------------------------------|---------------------------------------------|
| Tracteurs Tractors | Moteur Engine | Bague avant Front cover seal | Pignon Crankshaft gear | Bague arrière Rear housing seal | Joint arrière Rear gasket | Couronne de démarrage Flywheel ring gear |

Moteur 3 cylindres / 3 cylinder engines

| | | | | | | |
|------------------------|---------|--------------------------------------------|---------------------------------------------|--------------------------------------------|----------------------------------------------------------------------|--------------------------------------------------------|
| 250X, 250X Adv. 415 | AD3.152 | 30/11-10 (2415344, 1447689M1) | 30/12-10 (31163495, 3641826M1) | 30/13-4 (2418F475, 1447691M1) | 30/17-4 (33826111, 33826115, 741378M1, 3641894M1) | 30/15-1 (0410236, 731008M1, 3819719M1) |
|------------------------|---------|--------------------------------------------|---------------------------------------------|--------------------------------------------|----------------------------------------------------------------------|--------------------------------------------------------|

Moteur 4 cylindres / 4 cylinder engines

| | | | | | | |
|---------------------------------------------------------------------------------------------------------|------------------------|----------------------------------------------|---------------------------------------------|----------------------------------------------|-----------------------------------------------------------------------|--------------------------------------------------------|
| 265, 265 Adv. 425 | A4.236 | 30/11-150 (70730043, 4226213M1) | 30/12-3 (31171681, 734749M1) | 30/13-150 (70730050, 1076898M1) | 30/17-5 (36817157, 740482M1, 3681T018, 4223587M1) | 30/15-1 (3408357M1, 3819719M1) |
| 275, 275 Adv. 283, 283 Adv. 290, 290 Adv. 435, 440, 445, 610 5275, 5285, 5290 5335, 5340 | P4000 P4001 | | | | | |
| 292, 292 Adv. 460, 610 Turbo, 620 5300, 5310, 5355, 5360 | P4000T P4001T | | | | | |
| 5275, 5285, 5290 | A4.41 (UK) | 30/11-11 (2418F436, 1447690M1) | 30/12-11 (31171683, 3638105M1) | 30/13-4 (2418F475, 1447691M1) | 30/17-5 (3681T012, 3641221M1, 3681T018, 4223587M1) | 30/15-1 (0410236, 731008M1, 3819719M1) |
| 5300, 5310 | 1004-4T (Blue) (UK) | | | | | |

Moteur 6 cylindres / 6 cylinder engines

| | | | | | | |
|------------------------------------------------------------------------------------|----------------------------|----------------------------------------------|--------------------------------------------|----------------------------------------------|-----------------------------------------------------------------------|----------------------------------------------------------|
| 297, 630, 640 | 1006-6 (Blue) (UK) | 30/11-11 (2418F436, 1447690M1) | 30/12-15 (3117C061, 748201M1) | 30/13-4 (2418F475, 1447691M1) | 30/17-5 (36817181, 3641089M1, 3681T018, 4223587M1) | 30/15-150 (3408369M1) |
| 299, 650, 660, 680 | 1006-6T (Blue) (UK) | | | | | |
| 297 Adv., 298 Adv. 465 630, 640 | 1006-6 (Blue) (Brazil) | 30/11-150 (70730043, 4226213M1) | 30/12-15 (3117C061, 748201M1) | 30/13-150 (70730050, 1076898M1) | 30/17-5 (36817181, 3641089M1, 3681T018, 4223587M1) | 30/15-150 (3408369M1) |
| 299, 299 Adv. 475, 640 Turbo 650, 650 Adv. 660, 660 Adv. 680, 680 Adv. | 1006-6T (Blue) (Brazil) | | | | | |
| 5320 | 1006-6 (Blue) (UK) | | | | | |
| 5320, 5365 | 1006-6 (Blue) (Brazil) | 30/11-11 (2418F436, 1447690M1) | | 30/13-4 (2418F475, 1447691M1) | | 30/15-16 (31161148, 747694M1, 3819720M1) |
| | | 30/11-150 (70730043, 4226213M1) | | 30/13-150 (70730050, 1076898M1) | | 30/15-151 (054576P1) |

Les références des pièces sont indicatives.
Nos pièces ne sont pas d'origine

"THE RELIABLE SERVICE"

Part numbers are quoted for reference purposes only.
Our parts and accessories are not original.

BIELLES & PIÈCES CONNEXES

CONNECTING RODS & RELATED PARTS



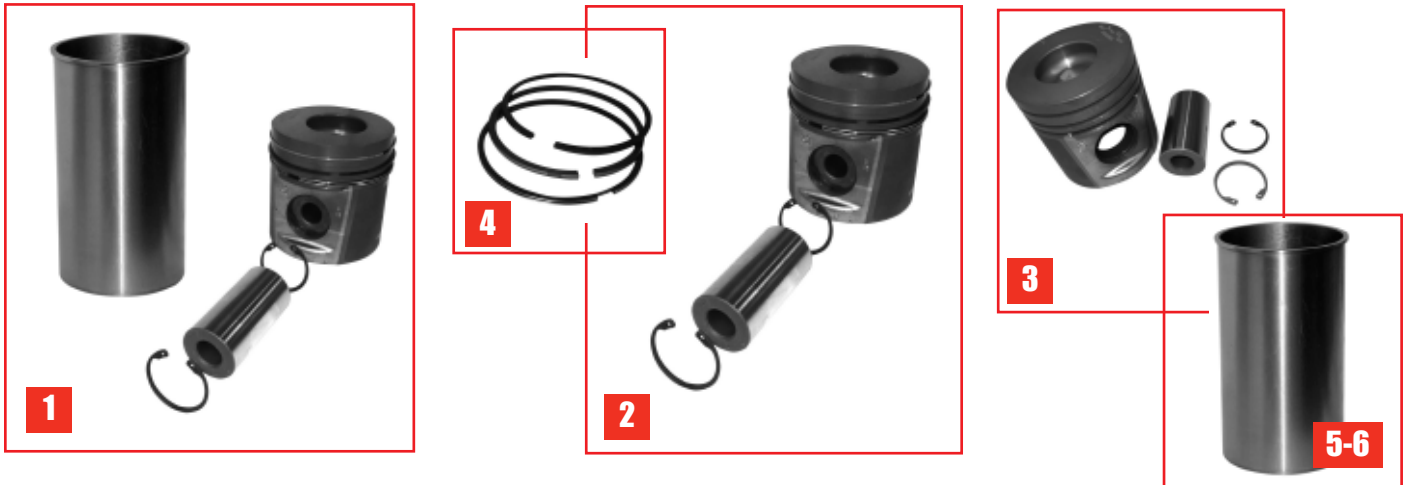
| | | 1 | 2 | 3 | 4 |
|---------------------------------------------------------------------------------------------------------|----------------------------|-------------------------------------------------------|---------------------------------------------------------|--------------------------------------------|--------------------------------------------|
| Tracteurs Tractors | Moteur Engine | Bielle Conrod | Boulon de bielle Conrod bolt | Ecrou de bielle Conrod nut | Bague de bielle Small end bush |
| Moteur 3 cylindres / 3 cylinder engines | | | | | |
| 250X, 250X Adv. 415 | AD3.152 | 30/25-2 (ZZ90010, 3637392M91) | 30/26-1 (0095250, 375756X1) | 30/27-1 (33221327, 1476245X1) | 30/28-1 (31134151, 740407M1) |
| Moteur 4 cylindres / 4 cylinder engines | | | | | |
| 265, 265 Adv. 425 | A4.236 | 30/25-3 (424804, ZZ90009, 3637034M91) | 30/26-2 (32762116, 32762145, 4222485M1) | 30/27-150 (70570094) | 30/28-150 (70998085) |
| 275, 275 Adv. 283, 283 Adv. 290, 290 Adv. 435, 440, 445, 610 5275, 5285, 5290 5335, 5340 | P4000 P4001 | | | | |
| 292, 292 Adv. 460 610 Turbo, 620 5300, 5310, 5355, 5360 | P4000T P4001T | | | | |
| 5275, 5285, 5290 | A4.41 (UK) | | | | |
| 5300, 5310 | 1004-4T (Blue) (UK) | | | | |
| Moteur 6 cylindres / 6 cylinder engines | | | | | |
| 297 630, 640 5320 | 1006-6 (Blue) (UK) | 30/25-3 (424804, ZZ90009, 3637034M91) | 30/26-2 (32762116, 32762145, 4222485M1) | 30/27-2 (33221328, 3637030M1) | 30/28-2 (31134123, 733767M1) |
| 297 Adv., 298 Adv. 465 630, 640 5320, 5365 | 1006-6 (Blue) (Brazil) | | | 30/27-150 (70570094) | 30/28-150 (70998085) |
| 299 650, 660, 680 | 1006-6T (Blue) (UK) | | | 30/27-2 (33221328, 3637030M1) | 30/28-16 (31134131, 744971M1) |
| 299, 299 Adv. 475, 640 Turbo 650, 650 Adv. 660, 660 Adv. 680, 680 Adv. | 1006-6T (Blue) (Brazil) | | | 30/27-150 (70570094) | 30/28-151 (70998078) |

Les références des pièces sont indicatives.
Nos pièces ne sont pas d'origine

"THE RELIABLE SERVICE"

Part numbers are quoted for reference purposes only.
Our parts and accessories are not original.

PISTONS, JEUX DE SEGMENTS & CHEMISES
PISTONS, RING SETS & LINERS



| | | 1 | 2 | 3 | 4 | 5 | 6 |
|---------------------------------------------------------------------------------------------------------|---------------------------|-----------------------------------------------|-----------------------------------------------|-------------------------------------------------------------------------------------------------------|------------------------------------------------------|---------------------------------------------|----------------------------------------------------------|
| Tracteurs Tractors | Moteur Engine | Kit Kit set | Piston & segment Piston & ring | Piston & axe Piston & pin | Segment Piston ring set | Chemise finie Finished liner | Chemise semi-finie Semi-finished liner |
| Moteur 3 cylindres / 3 cylinder engines | | | | | | | |
| 250X, 250X Adv. 415 | AD3.152 | - | - | - | 30/34-8 (86781, 41158065, 745826M91) | 30/35-7 (31358345, 739043M1) | 30/36-7 (31358323, 734179M1) |
| Moteur 4 cylindres / 4 cylinder engines | | | | | | | |
| 275, 275 Adv. 283, 283 Adv. 290, 290 Adv. 435, 440, 445, 610 5275, 5285, 5290 5335, 5340 | P4000 P4001 | 30/31-602S (P4016, I41013) | 30/32-602 (B32602) | 30/33-602 (P4015) | 30/34-602 (P4001, P4017) | - | 30/36-23 (70530022, 3135X033, 3637333M1) |
| 292, 292 Adv. 460, 610 Turbo, 620, 5300, 5310, 5355, 5360 | P4000T P4001T | 30/31-603S (P4012, I41T007) | 30/32-603 (B32603) | 30/33-603 (P4009) | | | |
| 5275, 5285, 5290 | A4.41 (UK) | 30/31-183 (B31183) | 30/32-183 (B32183) | 30/33-183 (U5LL0020, U5LL0031, U5LH0013, 3641254M91, 4223499M91, 4226116M91) | 30/34-183 (4115Y001, 4222053M91) | 30/35-23 (3135X034, 3637334M1) | 30/36-23 (3135X033, 3637333M1) |
| 5300, 5310 | 1004-4T (Blue) (UK) | 30/31-108 (U5MK0275, 3640333M91) | 30/32-108 (U5PR0040, 3640334M91) | 30/33-108 (U5LL0014, 3640593M91) | 30/34-108 (4181A026, 3641316M91) | 30/35-108 (3135X042, 748216M1) | 30/36-108 (3135X041, 748215M1) |
| Moteur 6 cylindres / 6 cylinder engines | | | | | | | |
| 297, 630, 640 | 1006-6 (Blue) (UK) | 30/31-176 (B31176) | 30/32-176 (B32176) | 30/33-176 (S1021, U5LL0021, 3641806M91) | 30/34-176 (4181A041, 4222706M91) | 30/35-108 (3135X042, 748216M1) | 30/36-108 (3135X041, 748215M1) |
| 297 Adv., 298 Adv. 465 630, 640 | 1006-6 (Blue) (Brazil) | 30/31-604 (B31604) | 30/32-604 (B32604) | | 30/34-604 (S1015) | | |

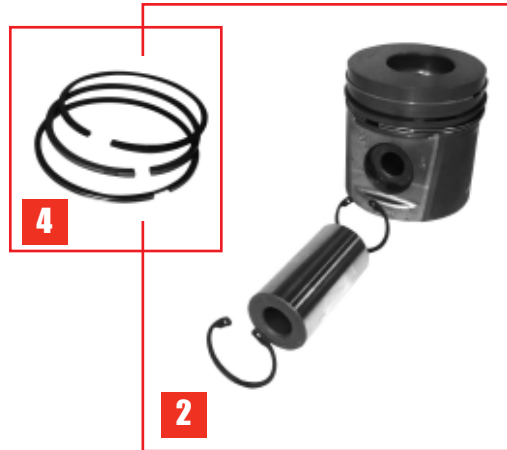
Pour les détails technique voir en page 31-32 / For technical details see page 31-32

Les références des pièces sont indicatives.
Nos pièces ne sont pas d'origine

"THE RELIABLE SERVICE"

Part numbers are quoted for reference purposes only.
Our parts and accessories are not original.

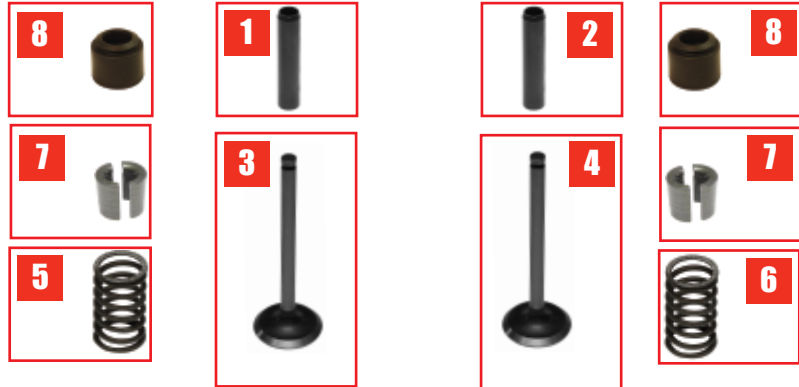
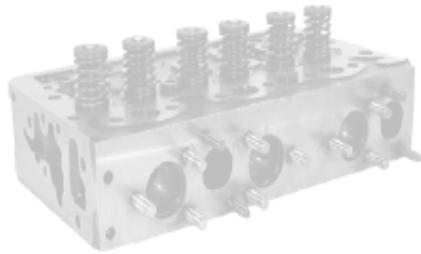
PISTONS, JEUX DE SEGMENTS & CHEMISES
PISTONS, RING SETS & LINERS



| | | 1 | 2 | 3 | 4 | 5 | 6 |
|---------------------------------------------------------------------------------------|----------------------------|-----------------------------------------------|-----------------------------------------------|---------------------------------------------------------|-----------------------------------------------|---------------------------------------------|---------------------------------------------|
| Tracteurs Tractors | Moteur Engine | Kit Kit set | Piston & segment Piston & ring | Piston & axe Piston & pin | Segment Piston ring set | Chemise finie Finished liner | Chemise semi-finie Semi-finished liner |
| Moteur 6 cylindres / 6 cylinder engines | | | | | | | |
| 299 650, 660, 680 | 1006-6T (Blue) (UK) | 30/31-108 (U5MK0275, 3640333M91) | 30/32-108 (U5PR0040, 3640334M91) | 30/33-108 (U5LL0014, 3640593M91) | 30/34-108 (4181A026, 3641316M91) | | |
| 299, 299 Adv. 475 640 Turbo, 650, 650 Adv. 660, 660 Adv. 680, 680 Adv. | 1006-6T (Blue) (Brazil) | 30/31-605 (B31605) | 30/32-605 (B32605) | 30/33-605 (S1019) | 30/34-605 (S1016) | 30/35-108 (3135X042, 748216M1) | 30/36-108 (3135X041, 748215M1) |
| 5320 | 1006-6 (Blue) (UK) | 30/31-176 (B31176) | 30/32-176 (B32176) | 30/33-176 (S1022, U5LL0021, 3641806M91) | 30/34-176 (4181A041, 4222706M91) | | |
| 5320, 5365 | 1006-6 (Blue) (Brazil) | 30/31-604 (B31604) | 30/32-604 (B32604) | | 30/34-604 (S1015) | | |

Pour les détails technique voir en page 31-32 / For technical details see page 31-32

CULASSES ET PIÈCES CONNEXES
CYLINDER HEAD PARTS



| | | 1 | 2 | 3 | 4 | 5 | 6 | 7 | 8 |
|-------------------------------------------------------------------------------------------------------|---------------------------|-----------------------------------------------------------------|----------------------------------------------------------------|--------------------------------------|--------------------------------------|-----------------------------------------------|-----------------------------------------------|------------------------------------|---------------------------------------|
| Tracteurs Tractors | Moteur Engine | Guide admiss. Inlet guide | Guide échap. Exhaust guide | Soup. d'admiss. Inlet valve | Soupape échap. Exhaust valve | Ressort admiss. Inlet spring | Ressort échap. Exhaust spring | Clavettes Cotter | Joint de soupape Valve seal |
| Moteur 3 cylindres / 3 cylinder engines | | | | | | | | | |
| 250X, 250 X Adv. 415 | AD3.152 | 30/41-3 (33261723, 3316A031, 732445M1, 4223519M1) | 30/41-3 (33261723, 3316A031, 732445M1, 4223519M1) | 30/42-5 (31431681, 739060M1) | 30/43-5 (3142A081, 3637529M1) | - | 30/45-60 (0780012, 3637678M1) | 30/46-1 (0230001, 731155M1) | - |
| Moteur 4 cylindres / 4 cylinder engines | | | | | | | | | |
| 265, 265 Adv. 425 | A4.236 | 30/41-17 (3343F031, 3343F041, 3640676M1, 4223073M1) | 30/41-18 (3343J002, 3343J021, 748420M1, 4223074M1) | 30/42-601 (70998162) | 30/43-601 (70998163, 70910077) | - | 30/45-601 (70998136) | | 30/47-601 (70730051) |
| 610 | P4000 | | | 30/42-602 (70998082, 70910035) | | | 30/45-601 (70998136) Simple Single | | |
| 610 Turbo, 620 | P4000T | (514798Z⇒) 30/41-602 (70420019) | (514798Z⇒) 30/41-602 (70420019) | 30/42-603 (70998020, 70910034) | | 30/44-67 (31744133, 740465M1) Double | 30/45-61 (31745122, 740467M1) Double | 30/46-601 (70230010) | (514798Z⇒) 30/47-601 (70730051) |
| 275, 275 Adv. 283, 283 Adv. 290, 290 Adv. 435, 440, 445 5275, 5285, 5290 5335, 5340 | P4000 P4001 | | | 30/42-602 (70998082, 70910035) | 30/43-602 (70998019, 70910036) | - | 30/45-601 (70998136) | | 30/47-601 (70730051) |
| 292, 292 Adv. 460 5300, 5310, 5355, 5360 | P4000T P4001T | | | 30/42-603 (70998020, 70910034) | | - | | | |
| 5275, 5285, 5290 | A4.41 (UK) | | | 30/42-38 (3142L051, 748413M1) | 30/43-26 (3142A051, 748309M1) | - | 30/45-62 (3174P405, 3637057M1) | 30/46-2 (33173108, 736453M1) | 30/47-1 (33817117, 3637041M1) |
| 5300, 5310 | 1004-4T (Blue) (UK) | 30/41-17 (3343F041, 4223073M1) | 30/41-18 (3343J021, 4223074M1) | 30/42-39 (3142L072, 3640597M1) | | 30/44-67 (31744133, 740465M1) | 30/45-61 (31745122, 740467M1) | | |

Pour les détails technique voir en page 31-32 / For technical details see page 31-32

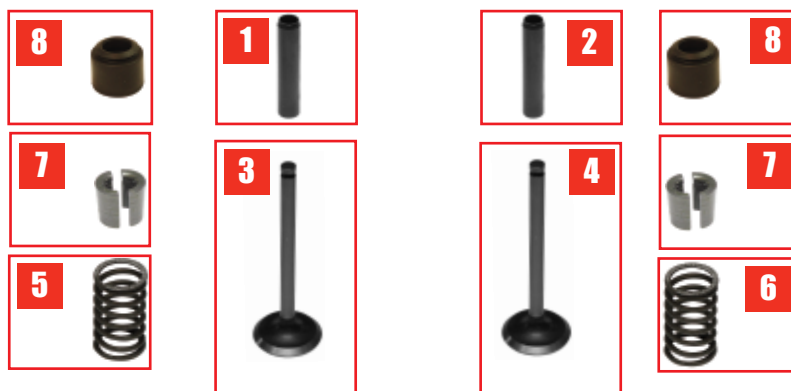
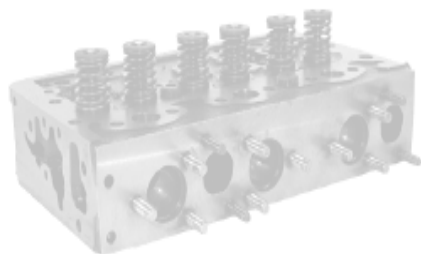
Les références des pièces sont indicatives.
Nos pièces ne sont pas d'origine

"THE RELIABLE SERVICE"

Part numbers are quoted for reference purposes only.
Our parts and accessories are not original.

CULASSES ET PIÈCES CONNEXES

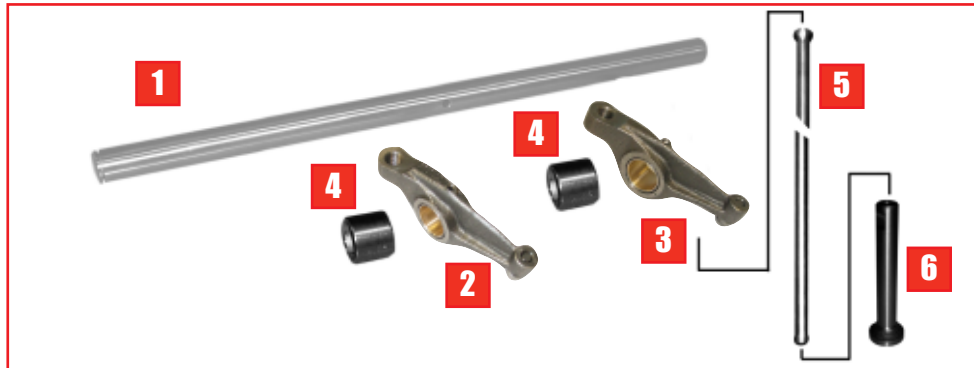
CYLINDER HEAD PARTS



| | | 1 | 2 | 3 | 4 | 5 | 6 | 7 | 8 |
|---------------------------------------------------------------------------------------|-------------------------------|------------------------------------------------------------------------|-----------------------------------------------------------------------|------------------------------------------------------------------------------------------------------------------------------|---------------------------------------------------------|------------------------------------------------------|-----------------------------------------------------------------------------------------------------------------------------|--------------------------------------------------------|---------------------------------------------------------|
| Tracteurs Tractors | Moteur Engine | Guide admiss. Inlet guide | Guide échap. Exhaust guide | Soup. d'admiss. Inlet valve | Soupape échap. Exhaust valve | Ressort admiss. Inlet spring | Ressort échap. Exhaust spring | Clavettes Cotter | Joint de soupape Valve seal |
| Moteur 6 cylindres / 6 cylinder engines | | | | | | | | | |
| 297 630, 640 5320 | 1006-6 (Blue) (UK) | | | 30/42-38 (3142L051, 748413M1) | | 30/44-67 (31744133, 740465M1) Double | 30/45-62 (3174P405, 3637057M1) Simple Single 30/45-61 (31745122, 740467M1) Double | | |
| 297 Adv. 298 Adv. 465 630, 640 5320, 5365 | 1006-6 (Blue) (Brazil) | | | 30/42-604 (70910060, 70910060R) | | - | 30/45-62 (3174P405, 3637057M1) | | |
| 660 | 1006-6T (Blue) (UK) | 30/41-17 (3343F031, 3343F041, 3640676M1, 4223073M1) | 30/41-18 (3343J002, 3343J021, 748420M1, 4223074M1) | (⇒U557976X) 30/42-71 (3142L071, 3637042M1) (U557977X⇒) 30/42-39 (3142L072, 3640597M1) | 30/43-26 (70910059, 3142A051, 748309M1) | 30/44-67 (31744133, 740465M1) | 30/45-61 (31745122, 740467M1) | 30/46-2 (33173108, 70998122, 736453M1) | 30/47-1 (33817117, 70998120, 3637041M1) |
| 299 650, 660, 680 | 1006-6T (Blue) (UK) | | | 30/42-39 (3142L072, 3640597M1) | | 30/44-67 (31744133, 740465M1) Double | 30/45-62 (3174P405, 3637057M1) Simple Single 30/45-61 (31745122, 740467M1) Double | | |
| 299, 299 Adv. 475 640 Turbo, 650, 650 Adv. 660, 660 Adv. 680, 680 Adv. | 1006-6T (Blue) (Brazil) | | | 30/42-605 (70910061) | | - | 30/45-62 (3174P405, 3637057M1) | | |

Pour les détails technique voir en page 31-32 / For technical details see page 31-32

CULBUTEURS ROCKER SHAFT & ARMS



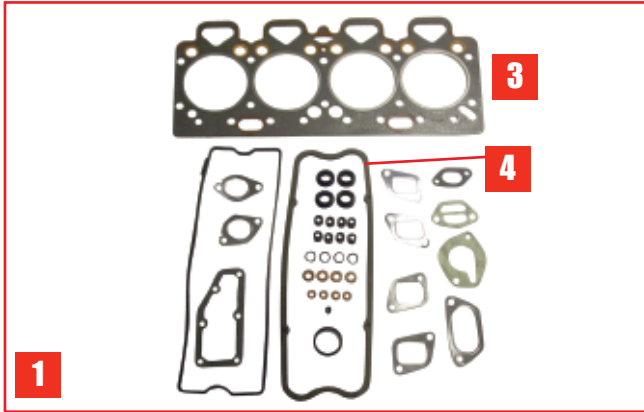
| Tracteurs Tractors | Moteur Engine | 1 Axe culbuteur Rocker shaft | 2 Culbuteur G. Rocker arm LH | 3 Culbuteur Dr. Rocker arm RH | 4 Bague Rocker arm bush | 5 Tige Push rod | 6 Poussoir Tappet |
|---------------------------------------------------------------------------------------------------------|----------------------------|---------------------------------------|------------------------------------------------------------------|------------------------------------------------------------------|-------------------------------------|------------------------------------|--------------------------------------------------------------|
| Moteur 3 cylindres / 3 cylinder engines | | | | | | | |
| 250X, 250X Adv. 415 | AD3.152 | 30/6051-1 (ZZ90047, 3637532M91) | 30/50-4 (3737A101, 3638185M1) | 30/50-5 (3737A091, 3638184M1) | - | - | 30/54-2 (0860012, 731150M1) |
| Moteur 4 cylindres / 4 cylinder engines | | | | | | | |
| 265, 265 Adv. 425 | A4.236 | 30/6051-601 (424807) | 30/50-601 (70998096, 70992758) | 30/50-602 (70998095, 70992757) | 30/6052-1 (2511425, 895748M1) | 30/53-601 (70998041) | 30/54-3 (31434163 3142U031, 740671M1, 4222069M1) |
| 275, 275 Adv. 283, 283 Adv. 290, 290 Adv. 435, 440, 445, 610 5275, 5285, 5290 5335, 5340 | P4000 P4001 | | | | | | |
| 292, 292 Adv. 460 610 Turbo, 620 5300, 5310, 5355, 5360 | P4000T P4001T | | | | | | |
| 5275, 5285, 5290 | A4.41 (UK) | | | | | | |
| 5300, 5310 | 1004-4T (Blue) (UK) | 30/6051-2 (ZZ90032, 3637395M91) | 30/50-6 (4115R306, 4115R506, 4223076M91, 4226827M91) | 30/50-7 (4115R305, 4115R507, 4223075M91, 4226836M91) | | 30/53-2 (31434307, 733817M1) | |
| Moteur 6 cylindres / 6 cylinder engines | | | | | | | |
| 297 630, 640 5320 | 1006-6 (Blue) (UK) | - | 30/50-6 (4115R306, 4115R506, 4223076M91, 4226827M91) | 30/50-7 (4115R305, 4115R507, 4223075M91, 4226836M91) | 30/6052-1 (2511425, 895748M1) | 30/53-2 (31434307, 733817M1) | 30/54-3 (31434163 3142U031, 740671M1, 4222069M1) |
| 299 650, 660, 680 | 1006-6T (Blue) (UK) | | | | | | |
| 297 Adv., 298 Adv. 465 630, 640 5320, 5365 | 1006-6 (Blue) (Brazil) | | | | | | |
| 299, 299 Adv. 475, 640 Turbo 650, 650 Adv. 660, 660 Adv. 680, 680 Adv. | 1006-6T (Blue) (Brazil) | | | | | | |
| | | | 30/50-601 (70998096, 70992758) | 30/50-602 (70998095, 70992757) | | 30/53-601 (70998041) | |

Les références des pièces sont indicatives.
Nos pièces ne sont pas d'origine

"THE RELIABLE SERVICE"

Part numbers are quoted for reference purposes only.
Our parts and accessories are not original.

JOINTS DE MOTEUR
ENGINE GASKET SETS



Illustré / Illustrated : 30/71-602



Illustré / Illustrated : 30/72-602

| | | 1 | 2 | 3 | 4 | 5 |
|---------------------------------------------------------------------------------------------------------|------------------------|-------------------------------------------------------------------------------------------------------------------------------|-----------------------------------------------------------------------------------------------|----------------------------------------------------------------------------------------------------------|--------------------------------------------|-----------------------------------------------------------------------------------------------|
| Tracteurs Tractors | Moteur Engine | Pochette de rodage Top gasket set | Pochette compl. Bottom gasket set | Joint de culasse Cyl. head gasket | Joint cache soupape Rocker cover gasket | Joint de carter Sump gasket |
| Moteur 3 cylindres / 3 cylinder engines | | | | | | |
| 250X, 250X Adv. 415 | AD3.152 | 30/71-5 (U5LT0038, U5LT0538, U5LT5138, 748008M91, 4222480M91, 4223923M91) | 30/72-107 (U5LB0010, U5LB0110, U5LB1110, 747185M91, 4223491M91, 4224032M91) | 30/73-4 (3681E024, 3641399M1) | 30/74-8 (36811115, 735057M1) | 30/75-105 (41424209, 41424233, 21826370, 741632M91, 4222056M91, 4224249M91) |
| Moteur 4 cylindres / 4 cylinder engines | | | | | | |
| 265, 265 Adv. 425 | A4.236 | 30/71-601 (4236129) 1076818M91) (A) Premier / Early 30/71-610 (B71610) (C) Dernier / Late | 30/72-601 (4236195) | 30/73-601 (70490195) Premier / Early 30/73-610 (6250064M1) Dernier / Late | 30/74-601 (70490149, 70490266) | 30/75-106 (36815721, 3681K004, 3681K003, 746425M1, 3638519M1, 3641273M1) |
| 275, 275 Adv. 283, 283 Adv. 290, 290 Adv. 435, 440, 445, 610 5275, 5285, 5290 5335, 5340 | P4000 P4001 | 30/71-602 (P4007) (B) Premier / Early 30/71-612 (B71612) (D) Dernier / Late | 30/72-602 (P4006) | 30/73-602 (70490304) Premier / Early 30/73-53 (70998194, 4222124M1) Dernier / Late | 30/74-602 (70490258, 3604749M1) | |
| 292, 292 Adv 460 610 Turbo, 620 5300, 5310, 5355, 5360 | P4000T P4001T | 30/71-603 (P4008) | | 30/73-53 (3681E016, 3681E034, 3638294M1, 4222124M1) | | |
| 5275, 5285, 5290 | A4.41 (UK) | 30/71-90 (U5LT0307, U5LT1196, 4223089M91, 4224621M91) | 30/72-113 (U5LB0317, U5LB1160, 4223090M91, 4224457M91) | 30/73-90 (3681E033, 3681E037, 4222534M1, 4224501M1) | 30/74-105 (3681A032, 3641891M1) | |
| 5300, 5310 | 1004-4T (Blue) (UK) | | | | | |

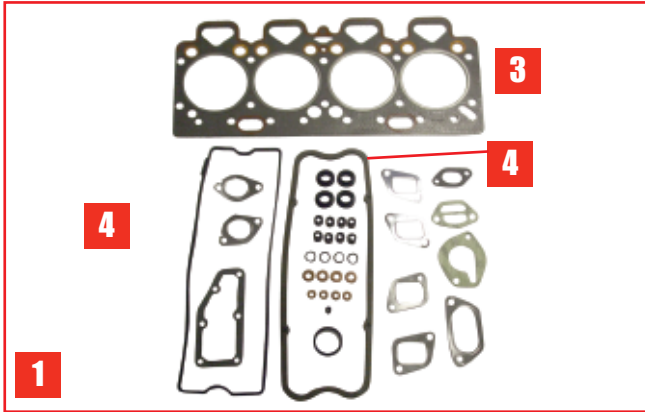
(A) 30/71-601 contient l'ensemble 30/76-602 (P4056) + 30/73-601 / **(A)** 30/71-601 contains top service set 30/76-602 (P4056) + 30/73-601.

(B) 30/71-602 contient l'ensemble 30/76-602 (P4056) + 30/73-602 / **(B)** 30/71-602 contains top service set 30/76-602 (P4056) + 30/73-602

(C) 30/71-610 contient l'ensemble 30/76-602 (P4056) + 30/73-610 / **(C)** 30/71-610 contains top service set 30/76-602 (P4056) + 30/73-610

(D) 30/71-612 contient l'ensemble 30/76-602 (P4056) + 30/73-53 / **(D)** 30/71-612 contains top service set 30/76-602 (P4056) + 30/73-53

JOINTS DE MOTEUR
ENGINE GASKET SETS



Illustré / Illustrated : 30/71-602



Illustré / Illustrated : 30/72-602

| | | 1 | 2 | 3 | 4 | 5 |
|-------------------------------------|--------------------------------|----------------------------------------------------|----------------------------------------------------|----------------------------------------------------|----------------------------------------------------------|----------------------------------------------|
| Tracteurs <i>Tractors</i> | Moteur <i>Engine</i> | Pochette de rodage <i>Top gasket set</i> | Pochette compl. <i>Bottom gasket set</i> | Joint de culasse <i>Cyl. head gasket</i> | Joint cache soupape <i>Rocker cover gasket</i> | Joint de carter <i>Sump gasket</i> |

Moteur 3 cylindres / 3 cylinder engines

| | | | | | | |
|------------------------------------------------------------------------------------|----------------------------|-------------------------------------------------------------------|-----------------------------------------------------------------------------------------------|-----------------------------------------------------------------|------------------------------------------------------------------------------------|---------------------------------------|
| 297 630, 640 5320 | 1006-6 (Blue) (UK) | 30/71-91 (U5LT0179, U5LT1179, 3638697M91, 4224665M91) | 30/72-91 (U5LB0053, U5LB0153, U5LB1167, 3638660M91, 4222229M91, 4224613M91) | 30/73-91 (3681H205, 3681H208, 3640916M1, 4222354M1) | 30/74-91 (3681C001, 748329M1) ou 30/74-109 (3681C003, 3641821M1) | 30/75-113 (3681M005, 3638562M1) |
| 299 650, 660, 680 | 1006-6T (Blue) (UK) | | | | | |
| 297 Adv., 298 Adv. 465 630, 640 5320, 5365 | 1006-6 (Blue) (Brazil) | 30/71-604 (S1007, S1006) | 30/72-604 (S1009) | | 30/74-109 (3681C003, 3641821M1) | 30/75-113 (3681M007, 3638431M1) |
| 299, 299 Adv. 475, 640 Turbo 650, 650 Adv. 660, 660 Adv. 680, 680 Adv. | 1006-6T (Blue) (Brazil) | | 30/72-605 (S1008) | | | |

FILTRES
FILTERS



1



2



3



4

| | | 1 | 2 | 3 | 4 |
|------------------------------------------------|-------------------------|---------------------------------------------------------------|-----------------------------------------------------------------------|---------------------------------|---------------------------------------------|
| Tracteurs <i>Tractors</i> | Moteur <i>Engine</i> | Filtre à huile <i>Oil filter</i> | Filtre à mazout <i>Fuel filter</i> | Pre-filtre <i>Pre-filter</i> | Cuve <i>Sediment bowl</i> |
| Moteur 3 cylindres / 3 cylinder engines | | | | | |
| 250X, 250X Adv. 415 | AD3.152 | 60/97-1 (2654408, 1447082M91) | 60/111-6 (26560602, 1896287M91) | - | - |
| Moteur 4 cylindres / 4 cylinder engines | | | | | |
| 265, 265 Adv. 425 | A4.236 | 60/97-2 (2654403, 1447048M1) | 60/111-6 (26560602, 1896287M91) | - | - |
| 275, 275 Adv. 283, 290 610 | P4000 | 60/97-2 (71054, 71055, 2654403, 1447048M1) | 60/111-63 (6354129, 040880T1, 26560608, 3638291M1) | - | - |
| 283 Adv., 290 Adv. | | | 60/111-6 (26560602, 1896287M91) | - | - |
| 292 | P4000T | 60/97-2 (2654403, 1447048M1) | 60/111-63 (6354129, 040880T1, 26560608, 3638291M1) | - | - |
| 292 Adv. 460 | | | 60/111-6 (26560602, 1896287M91) | - | 60/112-1 (26560075, 1024386M1) |
| 435, 440, 445 | P4000 | 60/97-2 (2654403, 1447048M1) | 60/111-63 (040880T1, 26560608, 3638291M1) | 60/111-602 (040879T1) | - |
| 610 Turbo, 620 | P4000T | 60/97-2 (2654403, 1447048M1) | 60/111-5 (26560017, 1851890M91, 836218M91) | - | 60/112-1 (26560075, 1024386M1) |
| 5275, 5285, 5290 | A4.41 (UK) | 60/97-2 (2654403, 1447048M1) | 60/111-5 (26560017, 1851890M91, 836218M91) | - | 60/112-1 (26560075, 1024386M1) |

Les références des pièces sont indicatives.
Nos pièces ne sont pas d'origine

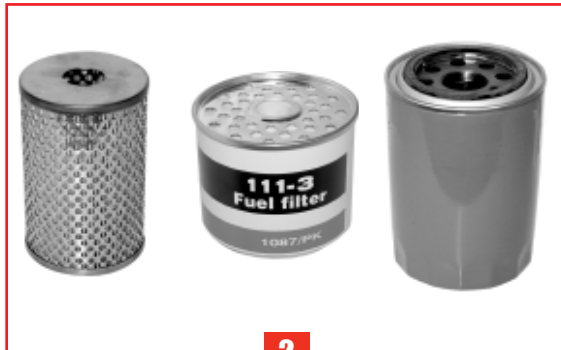
"THE RELIABLE SERVICE"

Part numbers are quoted for reference purposes only.
Our parts and accessories are not original.

FILTRES
FILTERS



1



2



3



4

| | | 1 | 2 | 3 | 4 |
|------------------------------------------------|----------------------------|-----------------------------------------------------|------------------------------------------------------------|----------------------------------------------|---------------------------------------------|
| Tracteurs Tractors | Moteur Engine | Filtre à huile Oil filter | Filtre à mazout Fuel filter | Pre-filtre Pre-filter | Cuve Sediment bowl |
| Moteur 4 cylindres / 4 cylinder engines | | | | | |
| 5275, 5285, 5290 5335, 5340 | P4001 | 60/97-2 (2654403, 1447048M1) | 60/111-5 (26560017, 1851890M91, 836218M91) | - | 60/112-1 (26560075, 1024386M1) |
| 5300, 5310 | 1004-4T (Blue) (UK) | 60/97-3 (2654407, 1447031M2) | | | |
| 5300, 5310, 5355, 5360 | P4001T | | | | |
| Moteur 6 cylindres / 6 cylinder engines | | | | | |
| 297 630, 640 | 1006-6 (Blue) (UK) | 60/97-3 (71058, 2654407, 1447031M2) | 60/111-63 (040880T1, 26560608, 3638291M1) | 60/111-602 (048846R1, 040879T1) | - |
| 297 Adv., 298 Adv. 465 630, 640 | 1006-6 (Blue) (Brazil) | | 60/111-6 (26560602, 1896287M91) | | - |
| 299 | 1006-6T (Blue) (UK) | | 60/111-63 (040880T1, 26560608, 3638291M1) | | - |
| 299 640 Turbo | 1006-6T (Blue) (Brazil) | | 60/111-4 (423651, V836339371) | | - |
| 299 Adv. 475 | | | 60/111-6 (26560602, 1896287M91) | | - |
| 650, 660, 680 | 1006-6T (Blue) (UK) | 60/97-2 (71054, 2654403, 1447048M1) | 60/111-63 (040880T1, 26560608, 3638291M1) | - | |
| 650, 660, 680 | 1006-6T (Blue) (Brazil) | | 60/111-4 (423651, V836339371) | - | |

Les références des pièces sont indicatives.
Nos pièces ne sont pas d'origine

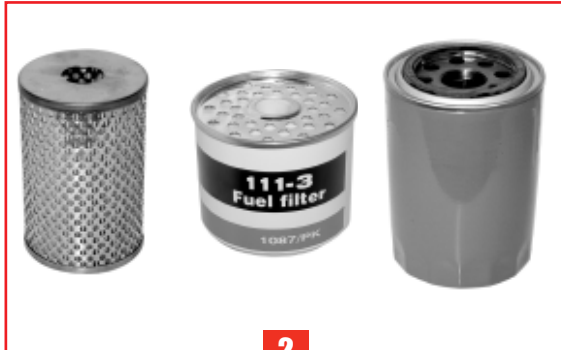
"THE RELIABLE SERVICE"

Part numbers are quoted for reference purposes only.
Our parts and accessories are not original.

FILTRES
FILTERS



1



2



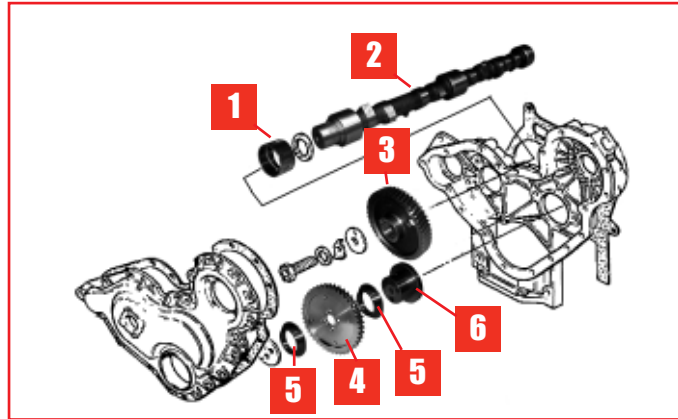
3



4

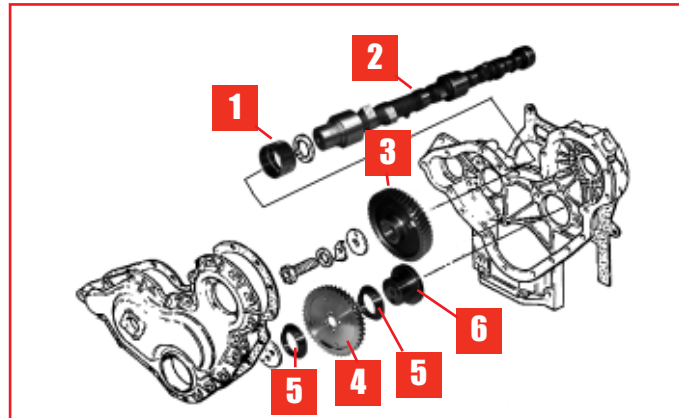
| | | 1 | 2 | 3 | 4 |
|------------------------------------------------|----------------------------|-----------------------------------------------------|------------------------------------------------------------|----------------------------------------------|---------------------------------------------|
| Tracteurs <i>Tractors</i> | Moteur <i>Engine</i> | Filtre à huile <i>Oil filter</i> | Filtre à mazout <i>Fuel filter</i> | Pre-filtre <i>Pre-filter</i> | Cuve <i>Sediment bowl</i> |
| Moteur 6 cylindres / 6 cylinder engines | | | | | |
| 650 Adv., 660 Adv., 680 Adv. | 1006-6T (Blue) (Brazil) | 60/97-2 (71054, 2654403, 1447048M1) | 60/111-6 (26560602, 1896287M91) | 60/111-602 (048846R1, 040879T1) | - |
| 5320 | 1006-6 (Blue) (UK) | 60/97-3 (2654407, 1447031M2) | 60/111-5 (26560017, 1851890M91, 836218M91) | - | 60/112-1 (26560075, 1024386M1) |
| 5320, 5365 | 1006-6 (Blue) (Brazil) | | 60/111-3 (635776, 26561117, 3405418M2) | 60/111-602 (6354130, 040879T1) | - |

DISTRIBUTION
TIMING GEAR



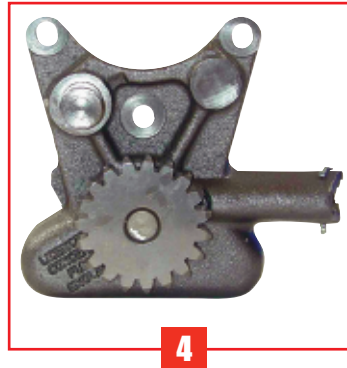
| | | 1 | 2 | 3 | 4 | 5 | 6 |
|---------------------------------------------------------------------------------------------------------|---------------------------|---------------------------------------------------------|----------------------------------------------------------------------------------------------------|------------------------------------------------------------------------|-----------------------------------------------------------|--------------------------------------------|-----------------------------------------------------------------------------------------------|
| Tracteurs Tractors | Moteur Engine | Bague Camshaft bush | Arbre à cames Camshaft | Pignon Camshaft gear | Pignon Idler gear | Bague Idler gear bush | Bague Idler hub |
| Moteur 3 cylindres / 3 cylinder engines | | | | | | | |
| 250X, 250X Adv. 415 | AD3.152 | 30/56-600 (31134128, 740458M1) | 30/80-1 (31415261, 733507M1) | 30/81-13 (31164131, 3117F081, 3637541M1, 4222611M1) | 30/82-13 (4111A015, 3638219M91) | 30/84-7 (2511A735, 3637942M1) | 30/83-3 (0995447, 731204M1) |
| Moteur 4 cylindres / 4 cylinder engines | | | | | | | |
| 265, 265 Adv. 425 | A4.236 | 30/56-1 (70998033, 31134165, 4222017M1) | 30/80-7 (31415371, 31415374, 31415375, 3637537M1, 3641841M91) | 30/81-10 (31171931, 31171138, 3637421M1) | 30/82-12 (41115018, 4111A013, 3637075M91) | 30/84-8 (0050345, 731033M1) | 83-601 (33426161, 3311A054, 70998001, 70998172, 735852M1, 4226761M1) |
| 275, 275 Adv. 283, 283 Adv. 290, 290 Adv. 435, 440, 445, 610 5275, 5285, 5290 5335, 5340 | P4000 P4001 | | | | | | |
| 292, 292 Adv. 460 610 Turbo, 620 5300, 5310, 5355, 5360 | P4000T P4001T | | | | | | |
| 5275, 5285, 5290 | A4.41 (UK) | | | | | | |
| 5300, 5310 | 1004-4T (Blue) (UK) | | | | | | |
| | | | 30/80-13 (31415373, 31415382, 31415384, 3637538M1, 3638108M1, 3641843M91) | 30/81-14 (3117L012, 3641740M1) | 30/82-14 (4111A016, 3638220M91) | | |
| | | | 30/80-12 (31415363, 3641840M91) | 30/81-12 (3117L023, 3641739M1) | | | |

DISTRIBUTION
TIMING GEAR



| | | 1 | 2 | 3 | 4 | 5 | 6 | |
|-----------------------------------------------------|---------------------------------------------------|----------------------------------------------------------------|--------------------------------------|----------------------------------------------------------------|-------------------------------------------------------------------------|----------------------------------------------------|---------------------------------------------------------------------------------|----------------------------------------------------|
| Tracteurs Tractors | Moteur Engine | Bague Camshaft bush | Arbre à cames Camshaft | Pignon Camshaft gear | Pignon Idler gear | Bague Idler gear bush | Bague Idler hub | |
| Moteur 6 cylindres / 6 cylinder engines | | | | | | | | |
| 297 630, 640 5320 | 1006-6 (Blue) (UK) | 30/56-1 (31134164, 31134165, 3638579M1, 4222017M1) | 30/80-11 (31416307, 3641738M1) | 30/81-12 (3117L023, 3641739M1) | 30/82-12 (4111A013, 3637075M91) GA (63 Dents) LH (63 teeth) | 30/84-8 (0050345, 731033M1) Gauche LH | 30/83-601 (33426161, 3311A054, 735852M1, 4226761M1) Gauche LH | |
| 299 650, 660, 680 | 1006-6T (Blue) (UK) | | | 30/81-14 (3117L011, 3117L012, 748182M1, 3641740M1) | 30/82-16 (4111A008, 748072M91) DR (27 Dents) RH (27 teeth) | 30/84-11 (2511437, 1447752M1) Droit RH | | |
| 297 Adv., 298 Adv. 465 630, 640 5320, 5365 | 1006-6 (Blue) (Brazil) | | | 1006-6T (Blue) (Brazil) | 30/81-14 (3117L012, 3641740M1) | 30/82-12 (41115018, 4111A013, 3637075M91) | 30/84-8 (0050345, 731033M1) | 30/83-601 (3311A054, 70998172, 4226761M1) |
| 299, 299 Adv. 475, 640 Turbo 660, 660 Adv. | 30/81-10 (31171931, 31171138, 3637421M1) | | | | | | | |
| 650, 650 Adv. | 30/81-14 (3117L012, 3641740M1) | | | | | | | |
| 680, 680 Adv. | 30/81-12 (3117L023, 3641739M1) | | | | | | | |

LUBRIFICATION
LUBRICATION



| | | 1 | 2 | 3 | 4 | 5 | 6 |
|---------------------------------------------------------------------------------------------------------|------------------------|---------------------------------------------|-----------------------------------------------------------|-------------------------------------------------------------------------|---------------------------------------------|---------------------------------------------|------------------------------------------|
| Tracteurs Tractors | Moteur Engine | Bouchon Oil filler cap | Bouchon de vidange Sump drain plug | Joint de bouchon vid. Plug "O" ring | Pompe à huile Oil pump | Pignon d'équilibreur Pump idler gear | Bague Idler bush |
| Moteur 3 cylindres / 3 cylinder engines | | | | | | | |
| 250X, 250X Adv 415 | AD3.152 | 30/85-2 (2487854, 734962M91) | 30/88-1 (32186405, 748160M1) | 30/6088-600 (2415715, 3638382M1) | 30/90-1 (41314187, 3637359M91) | 30/91-1 (41115086, 3637351M91) | 30/84-5 (0050265, 731236M1) |
| Moteur 4 cylindres / 4 cylinder engines | | | | | | | |
| 265, 265 Adv. 425 | A4.236 | 30/85-601 (70150038) | 30/88-1 (2487004, 376501X1) | 30/6088-600 (70920008, 70920109, 2415715, 3638382M1) | - | - | - |
| 275, 275 Adv. 283, 283 Adv. 290, 290 Adv. 435, 440, 445, 610 5275, 5285, 5290 5335, 5340 | P4000 P4001 | | 30/88-602 (70650008) | | - | - | - |
| 292, 292 Adv. 460 610 Turbo, 620 5300, 5310, 5355, 5360 | P4000T P4001T | | 30/90-13 (4132F021, 4132F041, 3637489M91) | | - | - | - |
| 5275, 5285, 5290 | A4.41 (UK) | 30/85-22 (4142X098, 3641889M1) | 30/88-1 (32186405, 748160M1) | | | | |
| 5300, 5310 | 1004-4T (Blue) (UK) | 30/85-3 (2487845, 1851753M1) | | | | | |

Les références des pièces sont indicatives.
Nos pièces ne sont pas d'origine

"THE RELIABLE SERVICE"

Part numbers are quoted for reference purposes only.
Our parts and accessories are not original.

LUBRIFICATION
LUBRICATION



| | | 1 | 2 | 3 | 4 | 5 | 6 |
|------------------------------------------------------------------------------------|----------------------------|-------------------------------------------------------------------------------------------------------|-------------------------------------------|------------------------------------------------------------|----------------------------------------------|-----------------------------------------|---------------------|
| Tracteurs Tractors | Moteur Engine | Bouchon Oil filler cap | Bouchon de vidange Sump drain plug | Joint de bouchon vid. Plug "O" ring | Pompe à huile Oil pump | Pignon d'équilibreur Pump idler gear | Bague Idler bush |
| Moteur 6 cylindres / 6 cylinder engines | | | | | | | |
| 297 630, 640 5320 | 1006-6 (Blue) (UK) | 30/85-21 (3781A003, 748219M1) ou or 30/85-22 (4142X098, 3641889M1) | | | | - | - |
| 297 Adv., 298 Adv. 465 630, 640 | 1006-6 (Blue) (Brazil) | 30/85-22 (4142X098, 3641889M1) | 30/88-1 (32186405, 748160M1) | 30/6088-600 (70920109, 2415715, 3638382M1) | 30/90-51 (4132F043, 3638595M91) | - | - |
| 5320, 5365 | | 30/85-21 (3781A003, 748219M1) | | | | - | - |
| 299 650, 660, 680 | 1006-6T (Blue) (UK) | 30/85-21 (3781A003, 748219M1) ou or 30/85-22 (4142X098, 3641889M1) | | | 30/90-54 (4132F057, 3641171M91) | - | - |
| 299, 299 Adv. 475, 640 Turbo 650, 650 Adv. 660, 660 Adv. 680, 680 Adv. | 1006-6T (Blue) (Brazil) | 30/85-22 (4142X098, 3641889M1) | | | | - | - |

LUBRIFICATION
LUBRICATION



| | | 1 | 2 | 3 | 4 | 5 | 6 |
|-------------------------------------|--------------------------------|--------------------------------------------|-----------------------------------------------|-------------------------------------------|-------------------------------------------|--------------------------------------------|---------------------------------------------|
| Tracteurs <i>Tractors</i> | Moteur <i>Engine</i> | Equilibreur <i>Balancer unit</i> | Kit de reparation <i>Repair kit</i> | Arbre gauche <i>Drive shaft</i> | Arbre droit <i>Driven shaft</i> | Bague avant <i>Front bearing</i> | Bague arriere <i>Rear bearing</i> |

Moteur 4 cylindres / 4 cylinder engines

| | | | | | | | |
|---------------------------------------------------------------------------------------------------------|--------------------------------|--------------------------------------------------|---------------------------------------------------|------------------------------------|---------------------------------------------|-----------------------------------------------------|--------------------------------|
| 265, 265 Adv. 425 | A4.236 | | | | | | |
| 275, 275 Adv. 283, 283 Adv. 290, 290 Adv. 435, 440, 445, 610 5275, 5285, 5290 5335, 5340 | P4000 P4001 | 30/90-601 (70998135, 70991809) | 30/92-601 (B92601) (A) | 30/93-601 (70750043) | 30/93-602 (70750044, 70750045) | 30/89-601 (70998103) | 30/89-602 (70998104) |
| | | 7 | 8 | 9 | 10 | 11 | 12 |
| Tracteurs <i>Tractors</i> | Moteur <i>Engine</i> | Pignon d'équilibreur <i>Drive gear</i> | Pignon d'équilibreur <i>Driven gear</i> | Cale <i>Woodruff key</i> | Axe <i>Dowel pin</i> | Pignon d'équilibreur <i>Balancer gear</i> | Couvercle <i>Hub</i> |

Moteur 4 cylindres / 4 cylinder engines

| | | | | | | | |
|---------------------------------------------------------------------------------------------------------|----------------|--------------------------------|--------------------------------|------------------------------------------|-------------------------------------------|--------------------------------------------------------|-------------------------------------------|
| 265, 265 Adv. 425 | A4.236 | | | | | 30/94-6 (31164581, 31164582, 746694M1) | |
| 275, 275 Adv. 283, 283 Adv. 290, 290 Adv. 435, 440, 445, 610 5275, 5285, 5290 5335, 5340 | P4000 P4001 | 30/94-602 (70998129) | 30/94-603 (70998128) | 30/94-4 (2576675, 376588X1) | 30/94-5 (32455123, 734849M1) | 30/94-606 (70998174) | 30/99-1 (33451801, 734905M2) |

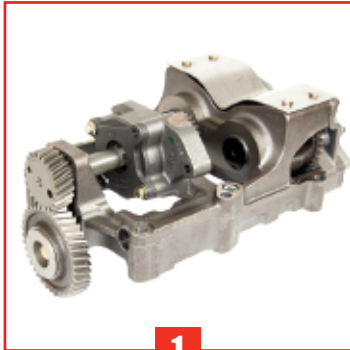
(A) Le kit 30/92-601 contient une pièce de chaque 30/93-601, 30/93-602, 30/94-602, 30/94-603 & 30/94-5 et deux pièces de chaque 30/89-601, 30/89-602 & 30/94-4.
(A) Contents of 30/92-601 are 1 each of 30/93-601, 30/93-602, 30/94-602, 30/94-603 & 30/94-5 and 2 each of 30/89-601, 30/89-602 & 30/94-4.

Les références des pièces sont indicatives.
Nos pièces ne sont pas d'origine

"THE RELIABLE SERVICE"

Part numbers are quoted for reference purposes only.
Our parts and accessories are not original.

LUBRIFICATION
LUBRICATION



1



2



3



4



5



6

| | | 1 | 2 | 3 | 4 | 5 | 6 |
|-------------------------------------|--------------------------------|--------------------------------------------|-----------------------------------------|------------------------------------|--------------------------------------------|---------------------------------------------|---------------------------------------------------|
| Tracteurs <i>Tractors</i> | Moteur <i>Engine</i> | Equilibreur <i>Balancer unit</i> | Pompe à huile <i>Oil pump</i> | Arbre <i>Drive shaft</i> | Bague avant <i>Front bearing</i> | Bague arrière <i>Rear bearing</i> | Pignon equilibreur <i>Balancer gear</i> |

Moteur 4 cylindres / 4 cylinder engines

| | | | | | | | |
|--------------------------------------------------------------------|------------------------|------------------------------------------------------------------------------------------------------|-----------------------------------------------------------|---------------------------------------------|---------------------------------------------|--------------------------------------------|--------------------------------------------|
| 292, 292 Adv. 460 610 Turbo, 620 5300, 5310 5355, 5360 | P4000T P4001T | 30/90-18 (4111K057, 4111K062, 4111K093, 3637592M91, 4224108M91) | 30/90-13 (4132F021, 4132F041, 3637489M91) | 30/93-10 (3117V003, 3637593M1) | 30/89-5 (2551A009, 1447727M91) | 30/89-6 (2551A014, 1447723M1) | 30/94-11 (3116W001, 746954M1) |
| 5300, 5310 | 1004-4T (Blue) (UK) | | | | | | |
| 5275, 5285, 5290 | A4.41 (UK) | 30/90-17 (4111K055, 4111K059, 4111K091, 3638368M91, 4224107M91, 4226792M91) | | | | | |

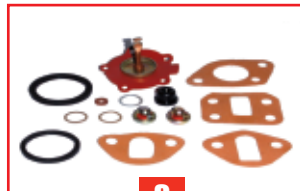
POMPE & SYSTÈME D'INJECTION
PUMPS & INJECTION



1



2



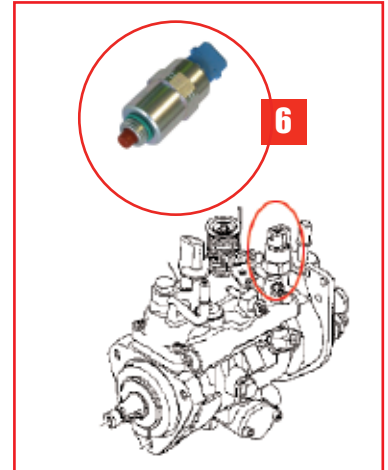
3



4



5



6

| | | 1 | 2 | 3 | 4 | 5 | 6 |
|-------------------------------------|--------------------------------|------------------------------------------------|-------------------------------------------------|-----------------------------------------------|--------------------------------------------------|--------------------------------------|---------------------------------------------------|
| Tracteurs <i>Tractors</i> | Moteur <i>Engine</i> | Bougie préchauff. <i>Thermostart</i> | Pompe d'alimentation <i>Fuel pump</i> | Kit de réparation <i>Repair kit</i> | Nez d'injecteur <i>Injector nozzle</i> | Joint <i>Nozzle washer</i> | Bobine d'arrêt <i>Shut-off solenoid</i> |

Moteur 3 cylindres / 3 cylinder engines

| | | | | | | | |
|------------------------|---------|---------------------------------------------|-----------------------------------------------|---------------------------------------------------------------------------|-------------------------------------------------------------------------|-------------------------------------------|---|
| 250X, 250X Adv. 415 | AD3.152 | 30/60-2 (2802106M1, 893501M91) | 30/100-19 (ULPK0004, 4222090M91) | 30/101-10 (26410087, ULPR0005, 1896434M91, 4222125M91) | 30/117-35 (2645C620, 2645L604, 3639738M1, 4222905M1) | 30/118-2 (0921173, 376091X1) | - |
|------------------------|---------|---------------------------------------------|-----------------------------------------------|---------------------------------------------------------------------------|-------------------------------------------------------------------------|-------------------------------------------|---|

Moteur 4 cylindres / 4 cylinder engines

| | | | | | | | |
|---------------------------------------------------------------|--------|--------------------------------------------------------------------------|----------------------------------------|---|------------------------------|--------------------------------------------------------|-----------------------------------------------------------------------------------------|
| 265, 265 Adv. 425 | A4.236 | 30/60-2 (2802106M1, 893501M91) | 30/100-602 (72081, 72111) | - | 30/117-601 (77341) | 30/118-2 (70920081, 0921173, 376091X1) | - |
| 275, 283, 283 Adv. 290, 290 Adv. 440, 445 | P4000 | | | | | | 30/7101-16 (28730179, 26420472, 1896464M1, 4224670M1) |
| 275 Adv. (Colecteur vertical / Vertical Exhaust) 435 | P4000 | | | | | | 30/7101-6 (26420469, 4224321M1) |
| 610 (054560T1) | | | | | | | 30/7101-14 (74083) (⇒B602438E) |
| | | | | | | | 30/7101-16 (28730179, 26420472, 1896464M1, 4224670M1) (B602439E⇒) |
| 610 Turbo | P4000T | | | | | | 30/7101-14 (74083) |
| 620 (039505T1) | | - | | | | | |
| 292, 292 Adv. 460 620 (054556T1) | | 30/7101-16 (28730179, 26420472, 1896464M1, 4224670M1) | | | | | |

Les références des pièces sont indicatives.
Nos pièces ne sont pas d'origine

"THE RELIABLE SERVICE"

Part numbers are quoted for reference purposes only.
Our parts and accessories are not original.

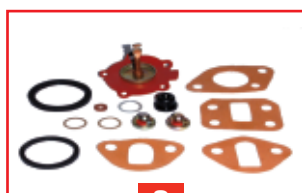
POMPE & SYSTÈME D'INJECTION
PUMPS & INJECTION



1



2



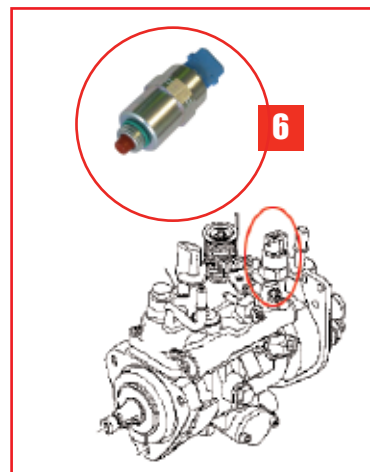
3



4



5



6

| | | 1 | 2 | 3 | 4 | 5 | 6 |
|-----------------------|------------------|----------------------------------|-----------------------------------|---------------------------------|------------------------------------|------------------------|-------------------------------------|
| Tracteurs Tractors | Moteur Engine | Bougie préchauff. Thermostart | Pompe d'alimentation Fuel pump | Kit de réparation Repair kit | Nez d'injecteur Injector nozzle | Joint Nozzle washer | Bobine d'arrêt Shut-off solenoid |

Moteur 4 cylindres / 4 cylinder engines

| | | | | | | | |
|--------------------------------|------------------------|--------------------------------------------------------------------|-----------------------------------------|----------------------------------------|-----------------------|-------------------------------------------------|-------------------------------------------------------------------|
| 5275, 5285, 5290 5335, 5340 | P4001 | 30/60-2 (2802106M1, 893501M91) | 30/100-602 (72081, 72111) | - | 30/117-602 (77496) | 30/118-2 (70920081, 0921173, 376091X1) | 30/7101-16 (28730179, 26420472, 1896464M1, 4224670M1) |
| 5300, 5310 5355, 5360 | P4001T | | | | 30/117-604 (77237) | | |
| 5275, 5285, 5290 | A4.41 (UK) | 30/100-32 (ULPK0005, ULPK0034, 4222106M91, 4224451M91) | 30/101-618 (ULPR0001, 4222326M91) | 30/117-37 (2645K602, 3637319M1) | | | |
| 5300, 5310 | 1004-4T (Blue) (UK) | | | 30/117-155 (2645A613, 3640923M1) | | | |

Moteur 6 cylindres / 6 cylinder engines

| | | | | | | | |
|-----------------|------------------------|--------------------------------------------------|--------------------------------------------------------------------|----------------------------------------|----------------------------------------|-------------------------------------------------|-------------------------------------------------------------------|
| 297 630, 640 | 1006-6 (Blue) (UK) | 30/60-2 (2802106M1, 893501M91) | 30/100-25 (2641A070, ULPK0002, 3641400M91, 4222105M91) | 30/101-31 (ULPR0002, 4222219M91) | 30/117-135 (2645A608, 3637195M1) | 30/118-2 (70920081, 0921173, 376091X1) | 30/7101-16 (28730179, 26420472, 1896464M1, 4224670M1) |
| 5320 | | 30/60-3 (2666108, 1446935M1, 3583543M2) | | | | | |
| 299 | 1006-6T (Blue) (UK) | 30/60-2 (2802106M1, 893501M91) | 30/117-147 (2645L616, 3640674M1) | | | | |
| 650 | | | | 30/117-156 (2645A616, 3637148M1) | | | |
| 660 | | | | 30/117-167 (2645A606, 3637169M1) | | | |

Les références des pièces sont indicatives.
Nos pièces ne sont pas d'origine

"THE RELIABLE SERVICE"

Part numbers are quoted for reference purposes only.
Our parts and accessories are not original.

POMPE & SYSTÈME D'INJECTION
PUMPS & INJECTION



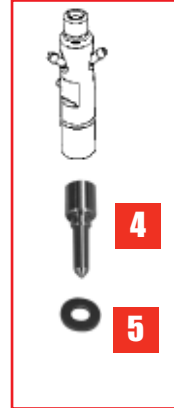
1



2

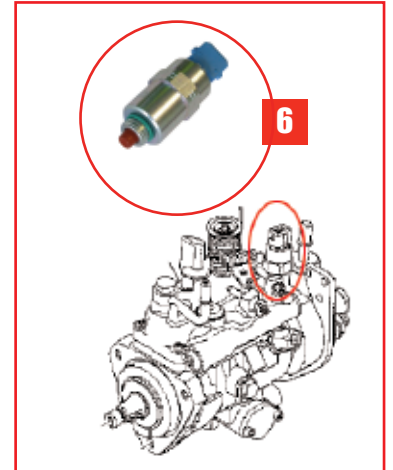


3



4

5



6

| | | 1 | 2 | 3 | 4 | 5 | 6 |
|-----------------------------------------------------|--------------------------------|------------------------------------------------|--------------------------------------------------------------------|---------------------------------------------------------------------|--------------------------------------------------|-------------------------------------------------|-------------------------------------------------------------------|
| Tracteurs <i>Tractors</i> | Moteur <i>Engine</i> | Bougie préchauff. <i>Thermostart</i> | Pompe d'alimentation <i>Fuel pump</i> | Kit de réparation <i>Repair kit</i> | Nez d'injecteur <i>Injector nozzle</i> | Joint <i>Nozzle washer</i> | Bobine d'arrêt <i>Shut-off solenoid</i> |
| Moteur 6 cylindres / 6 cylinder engines | | | | | | | |
| 680 | 1006-6T (Blue) (UK) | 30/60-2 (2802106M1, 893501M91) | 30/100-25 (2641A070, ULPK0002, 3641400M91, 4222105M91) | 30/101-31 (ULPR0002, 4222219M91) | 30/117-153 (2645L605, 3640672M1) | 30/118-2 (70920081, 0921173, 376091X1) | 30/7101-16 (28730179, 26420472, 1896464M1, 4224670M1) |
| 297 Adv., 298 Adv. 465 630, 640 5320, 5365 | 1006-6 (Blue) (Brazil) | | 30/100-604 (72096, 72096R) | 30/101-604 (26410149, ULPR0013, 1896401M91, 4222175M91) | 30/117-135 (2645A608, 3637195M1) | | |
| 299, 299 Adv. 475, 640 Turbo 650, 650 Adv. | 1006-6T (Blue) (Brazil) | | | | 30/117-156 (2645A616, 3637148M1) | | |
| 660, 660 Adv. 680, 680 Adv. | | | | | 30/117-167 (2645A606, 3637169M1) | | |

REFROIDISSEMENT COOLING SYSTEM



1



2



3



4



5



6



7

| | | 1 | 2 | 3 | 4 | 5 | 6 | 7 |
|------------------------------------------------------------------|------------------------|----------------------------------------|----------------------------------------|-------------------------------------------------------------------|----------------------------------------------------|---------------------------------------------------|-----------------------------------------------------------------|-------------------------------------|
| Tracteurs Tractors | Moteur Engine | Pompe à eau Water pump | Kit de réparation Repair kit | Durite by-pass By-pass hose | Kit de durite Inlet hose kit | Thermostat Thermostat | Joint thermost. Thermostat.gasket | Porte therm. Therm. housing |
| Moteur 3 cylindres / 3 cylinder engines | | | | | | | | |
| 250X, 250X Adv. 415 | AD3.152 | 30/130-6 (U5MW0097, 3641823M91) | 30/131-2 (U7LW0105, 3641392M91) | 30/141-3 (U5MH0006, 747936M91) | 30/142-1 (U5MH0001, 747939M91) | 30/143-3 (2485666, 1446165M91) | 30/147-12 (0490184, 36834169, 1650482M1, 4222057M1) | 30/146-3 (37766363, 746835M1) |
| Moteur 4 cylindres / 4 cylinder engines | | | | | | | | |
| 265, 265 Adv 425 | A4.236 | 30/130-601 (70992287, 4236253) | 30/131-601 (424857) | 30/141-10 (33814311, U5MH0052, 3637572M1, 3638251M91) | - | 30/143-3 (70998003, 2485666, 1446165M91) | 30/147-14 (36862151, 36862201, 735641M1, 4222011M1) | - |
| 275, 275 Adv. 283, 283 Adv. 290, 290 Adv. 435, 440, 445 | P4000 | | | - | - | | | - |
| 610 | P4000 | 30/130-602 (70992424, 4236254) | 30/131-602 (4236120) | - | - | 30/143-602 (70998113) | 30/147-15 (36834147, 36834152, 745106M1, 3641766M1) | - |
| 292, 292 Adv. 460 610 Turbo, 620 | P4000T | | | 30/141-10 (33814311, U5MH0052, 3637572M1, 3638251M91) | - | | | - |
| 5275, 5285, 5290 5335, 5340 | P4001 | 30/130-31 (U5MW0108, 4222002M91) | 30/131-31 (U7LW0096, 3641333M91) | - | 30/142-9 (3482T004, U5MH0047, 3637573M91) | 30/143-18 (2485613, 1447384M1) | - | - |
| 5300, 5310 5355, 5360 | P4001T | | | - | - | | | - |
| 5275, 5285, 5290 | A4.41 (UK) | 30/130-31 (U5MW0108, 4222002M91) | 30/131-31 (U7LW0096, 3641333M91) | 30/141-131 (U5MH0053, 3640921M91) | - | 30/143-18 (2485613, 1447384M1) | - | - |
| 5300, 5310 | 1004-4T (Blue) (UK) | | | - | - | | | - |

Les références des pièces sont indicatives.
Nos pièces ne sont pas d'origine

"THE RELIABLE SERVICE"

Part numbers are quoted for reference purposes only.
Our parts and accessories are not original.

REFROIDISSEMENT
COOLING SYSTEM



| | | 1 | 2 | 3 | 4 | 5 | 6 | 7 |
|------------------------------------------------------------------------------------|----------------------------|-------------------------------------------------------------|------------------------------------------------|-------------------------------------------------------------|---------------------------------|---------------------------------------------|----------------------------------------------|--------------------------------|
| Tracteurs Tractors | Moteur Engine | Pompe à eau Water pump | Kit de réparation Repair kit | Durite by-pass By-pass hose | Kit de durite Inlet hose kit | Thermostat Thermostat | Joint thermost. Thermostat.gasket | Porte therm. Therm. housing |
| Moteur 6 cylindres / 6 cylinder engines | | | | | | | | |
| 297 630, 640 | 1006-6 (Blue) (UK) | 30/130-193 (U5MW0159, 4223109M91) | 30/131-197 (U7LW0148, 4222456M91) | 30/141-133 (33854114, U5MH0050, 3637257M91) | - | 30/143-18 (2485613, 1447384M1) | 30/147-20 (3684A004, 3638700M1) | - |
| 299 650, 660, 680 | 1006-6T (Blue) (UK) | 30/130-199 (U5MW0160, 4222466M91) | 30/131-91 (U7LW0151, 4222467M91) | | - | | | |
| 297 Adv., 298 Adv. 465 630, 640 | 1006-6 (Blue) (Brazil) | 30/130-193 (4131E018, U5MW0159, 4223109M91) | 30/131-197 (U7LW0148, 4222456M91) | | - | | | |
| 299, 299 Adv. 475, 640 Turbo 650, 650 Adv. 660, 660 Adv. 680, 680 Adv. | 1006-6T (Blue) (Brazil) | 30/130-199 (4131E021, U5MW0160, 4222466M91) | 30/131-91 (U7LW0151, 4222467M91) | | - | 30/143-602 (70998113) | | |
| 5320 | 1006-6 (Blue) (UK) | 30/130-193 (4131E018, U5MW0159, 4223109M91) | 30/131-197 (U7LW0148, 4222456M91) | | - | 30/143-18 (2485613, 1447384M1) | | |
| 5320, 5365 | 1006-6 (Blue) (Brazil) | | | | - | 30/143-602 (70998113) | | |

COURROIES, ALTERNATEURS ET DÉMARREURS

BELTS, ALTERNATORS & STARTERS MOTOR


1

2

3

4

5

| | | 1 | 2 | 3 | 4 | 5 |
|------------------------------------------------|------------------|------------------------------------|----------------------------------|------------------------------------|------------------------------------------------------------------------------------------------------------------|--------------------------------------------------------------|
| Tracteurs Tractors | Moteur Engine | Renvoi d'angle Tachemeter drive | Courroie Fan belt | Courroie compr. Compressor belt | Alternateur Alternator | Démarrreur Starter motor |
| Moteur 3 cylindres / 3 cylinder engines | | | | | | |
| 250X, 250X Adv. 415 | AD3.152 | - | 30/144-702 (487802M2) | - | 62/920-600 (B) (3589435M91, 6228051M91, 6237273M91, 6283263M91) | 62/930-600 (033913T1, 191068M94, 3821819M91) |
| Moteur 4 cylindres / 4 cylinder engines | | | | | | |
| 265, 265 Adv. 425 | A4.236 | 30/58-601 (73071) | | - | 62/920-600 (B) (3589435M91, 6228051M91, 6237273M91, 6283263M91) | 62/930-601 (1482841M92) |
| 275, 283, 290 435, 440, 445 | P4000 | - | | - | | |
| 292 460 | P4000T P4001T | - | | - | | |
| 275 Adv., 283 Adv., 290 Adv. | P4000 P4001 | - | 30/144-703 (2801859M1) | 30/144-702 (487802M2) | 62/920-600 (B) (3589435M91, 6228051M91, 6237273M91, 6283263M91) Sans cabine Without Cab | |
| 292 Adv. | P4000T P4001T | - | 30/144-704 (3412285M2) | 30/144-702 (487802M2) | 62/920-602 (C) (060189N1, 071077N1, 6216929M91) Avec cabine With Cab | |
| 610 | P4000 | - | 30/144-705 (040560T1) | - | 62/920-600 (B) (3589435M91, 6228051M91, 6237273M91, 6283263M91) | |
| 610 Turbo, 620 | P4000T | - | 30/144-706 (3145238M1) | - | | |

(B) 62/920-600 est 14V 55A sans poulie. Reference d'origine 6283263M91 est complet avec poulie simple.

(B) 62/920-600 is 14V 55A without pulley. OE reference 6283263M91 is complete with single pulley.

(C) 62/920-602 est 14V 95A sans poulie. Reference d'origine 6216927M91 iest complet avec poulie simple. la reference d'origine 6216929M91 est complet avec deux poulies.

(C) 62/920-602 is 14V 95A without pulley. OE reference 6216927M91 is complete with single pulley. OE reference 6216929M91 is complete with twin pulley.

COURROIES, ALTERNATEURS ET DÉMARREURS BELTS, ALTERNATORS & STARTERS MOTOR



1



2



3



4



5

| | | 1 | 2 | 3 | 4 | 5 |
|------------------------------------------------|------------------------|------------------------------------|---------------------------------------------------------------------------------------------------------------------------------------------------------------------------------------------------|------------------------------------------------------------------------------------------------------------------------------------------------------------------------------------------------|------------------------------------------------------------------------------------------------------------------|-----------------------------------|
| Tracteurs Tractors | Moteur Engine | Renvoi d'angle Tachemeter drive | Courroie Fan belt | Courroie compr. Compressor belt | Alternateur Alternator | Démarrreur Starter motor |
| Moteur 4 cylindres / 4 cylinder engines | | | | | | |
| 5275, 5285, 5290 | A4.41 (UK) | - | 30/144-707 (049880T1) | 30/144-702 (487802M2) | 62/920-600 (B) (3589435M91, 6228051M91, 6237273M91, 6283263M91) Sans cabine Without Cab | 62/930-601 (1482841M92) |
| 5275, 5285, 5290 | P4001 | - | 30/144-707 (049880T1) 30/144-248 (A) (3808705M1) Avec airco With A/C | | | |
| 5300, 5310 | 1004-4T (Blue) (UK) | - | 30/144-249 (A) (3808730M1) | 30/144-294 (3809174M1) | 62/920-602 (C) (060189N1, 071077N1, 6216929M91) Avec cabine With Cab | |
| 5300, 5310 | P4001T | - | 30/144-707 (049880T1) 30/144-708 (A) (054315T1) Avec airco With A/C | | | |
| 5335, 5340 | P4001 | - | 30/144-709 (072727T1) 30/144-714 (A) (072729T1) Avec airco With A/C | | | |
| 5355, 5360 | P4001T | - | 30/144-707 (049880T1) ou / or 30/144-709 (072727T1) 30/144-248 (A) (3808705M1) ou / or 30/144-714 (A) (072729T1) Avec airco With A/C | 62/920-600 (B) (3589435M91, 6228051M91, 6237273M91, 6283263M91) ou / or 62/920-602 (C) (060074T1, 072625N1, 6216927M91) Sans cabine Without Cab | 62/920-602 (C) (060189N1, 071077N1, 6216929M91) Avec cabine With Cab | |

(A) Pair de première scourroies dentées / Pair of raw edged cogged belts.

(B) 62/920-600 est 14V 55A sans poulie. Reference d'origine 6283263M91 est complet avec poulie simple.

(B) 62/920-600 is 14V 55A without pulley. OE reference 6283263M91 is complete with single pulley.

(C) 62/920-602 est 14V 95A sans poulie. Reference d'origine 6216927M91 est complet avec poulie simple. Reference d'origine 6216929M91 est complet avec deux poulies.

(C) 62/920-602 is 14V 95A without pulley. OE reference 6216927M91 is complete with single pulley. OE reference 6216929M91 is complete with twin pulley.

COURROIES, ALTERNATEURS ET DÉMARREURS
BELTS, ALTERNATOR & STARTER MOTOR



1



2



3



4



5

| | | 1 | 2 | 3 | 4 | 5 |
|-------------------------------------------------|---------------------------------|------------------------------------|---------------------------------------------------------------------------------------------------|------------------------------------|-------------------------------------------------------------------------------------------------------------------------------------------------------------------------------------------------------------------|--------------------------------------------------------------------------------------------------------------------------------|
| Tracteurs Tractors | Moteur Engine | Renvoi d'angle Tachemeter drive | Courroie Fan belt | Courroie compr. Compressor belt | Alternateur Alternator | Démarrreur Starter motor |
| Moteur 6 cylindres / 6 cylinder engines | | | | | | |
| 297 465 | 1006-6 (Blue) (UK) | - | 30/144-706 (3145135M91, 3145238M1) | - | 62/920-620 (D) (3589442M91, 6228053M91, 6237274M91, 6283264M91) | 62/930-602 (3145134M92, 2834390M91) Prestolite 62/930-180 (3821818M94) Iskra |
| 299 475 | 1006-6T (Blue) (UK) | - | | - | | |
| 297 Adv., 298 Adv. | 1006-6 (Blue) (Brazil) | - | 30/144-706 (3145238M1) 30/144-711 (026160T1) Avec airco With A/C | 30/144-702 (487802M2) | 62/920-620 (D) (3589442M91 6228053M91, 6237274M91, 6283264M91) Sans cabine Without Cab 62/920-621 (E) (060188N1, 071078N1, 6228057M91) Avec cabine With Cab | |
| 299 Adv. | 1006-6T (Blue) (Brazil) | - | | | | |
| 630, 640 | 1006-6 (Blue) (UK & Brazil) | - | 30/144-712 (036720T1, 6214645M1) | - | 62/920-620 (D) (3589442M91, 6228053M91, 6237274M91, 6283264M91) | |
| 640 Turbo | 1006-6T (Blue) (UK & Brazil) | - | | - | | |
| 650, 650 Adv. 660, 660 Adv. 680, 680 Adv. | 1006-6T (Blue) (UK & Brazil) | - | 30/144-702 (487802M2) | 30/144-702 (487802M2) | 62/920-620 (D) (3589442M91 6228053M91, 6237274M91, 6283264M91) Sans cabine Without Cab | |
| 5320 | 1006-6 (Blue) (UK & Brazil) | - | | | | |
| 5365 | 1006-6 (Blue) (Brazil) | - | 30/144-713 (A) (072728T1) | | | |

A) Pair de première scourroies dentées / *Pair of raw edged cogged belts.*

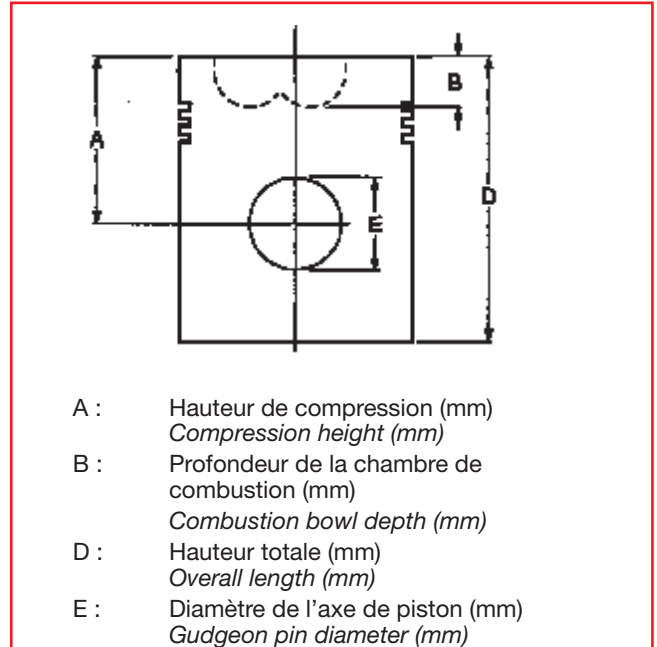
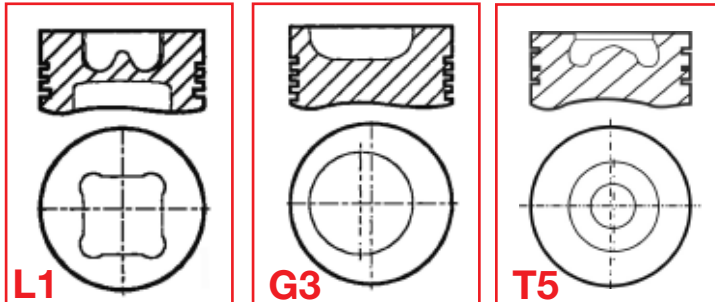
(D) 62/920-620 est 14V 55A sans poulie. Reference d'origine 6283264M91 est complet avec deux poulie.

(D) 62/920-620 is 14V 55A without pulley. OE reference 6283264M91 is complete with twin pulley.

(E) 62/920-621 est 14V 120A sans poulie. Reference d'origine 6228057M91 est complet avec deux poulie.

(E) 62/920-621 is 14V 120A without pulley. OE reference 6228057M91 is complete with twin pulley.

PISTONS & JEUX DE SEGMENTS
PISTONS & RING SETS

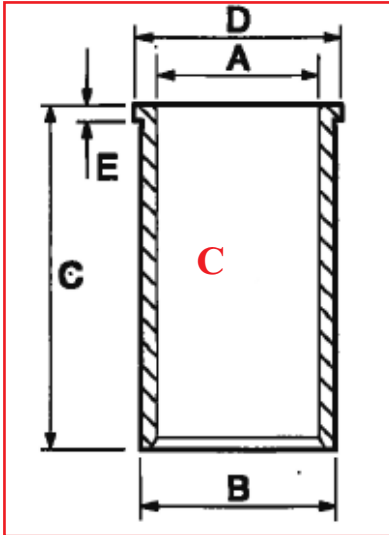


| Réf. Ref. | Type Type | Alésage Bore Ø | Segm. Rings | Al-fin Al-fin | A (mm) | B (mm) | D (mm) | E (mm) |
|--------------|--------------|-------------------|----------------|------------------|-----------|-----------|-----------|-----------|
| 30/33-108 | L1 | 100.00 | 3 | y | 70.02 | 19.48 | 108.06 | 38.10 |
| 30/33-176 | | | | n | 69.97 | 20.13 | 107.98 | |
| 30/33-183 | G3 | 101.05 | | y | 70.15 | 20.98 | 120.92 | 34.92 |
| 30/33-602 | | | | n | 70.50 | 21.25 | 108.50 | |
| 30/33-603 | T5 | | | y | 70.55 | 21.00 | 108.55 | 38.10 |
| 30/33-605 | L1 | 100.00 | | n | 70.05 | 19.50 | 108.00 | |

| Réf. Ref. | Alésage Bore Ø | No.1 | No.2 | No.3 | No.4 |
|--------------|-------------------|----------|-----------|-----------|-----------|
| 30/34-8 | 91.49 | CP1 2.38 | P2 2.38 | P2 2.38 | CBEH 4.76 |
| 30/34-108 | 100.00 | CK2 3.50 | TN1 2.50 | CBEH 4.00 | |
| 30/34-176 | | MR2 2.50 | CTN1 2.50 | CBEH 4.00 | |
| 30/34-183 | 101.05 | MR2 2.50 | CT2 2.50 | CBEH 5.00 | |
| 30/34-602 | | MK1 3.00 | T5 2.50 | CBEH 4.00 | |
| 30/34-604 | 100.00 | MR2 2.50 | CTN1 2.50 | CBEH 4.00 | |
| 30/34-605 | | MK2 3.50 | CTN1 2.50 | CBEH 4.00 | |

- CBEH : Chromé chanfreiné avec ressort hélicoidal / *Chrome plated bevelled edge with helical coil spring*
- CK2 : Trapézoïdal bilatéral chromé / *Chrome plated keystone internally stepped*
- CP1 : Rectangulaire chromé / *Chrome plated parallel faced*
- CT2 : Portée conique chromé épaulement intérieur en haut / *Chrome plated taper faced internally stepped top*
- CTN1 : Bec d'aigle portée conique chromé - intérieur en bas avec simple crochet / *Chrome taper faced Napier - externally stepped bottom with single hook*
- MK1 : Trapézoïdal bilatéral molybdène / *Molybdenum coated keystone*
- MK2 : Trapézoïdal bilatéral molybdène intérieur en haut / *Molybdenum coated keystone internally stepped top*
- MR2 : Portée bombée molybdène épaulement intérieur en haut / *Molybdenum plated barrel faced internally stepped top*
- P2 : Rectangulaire épaulement intérieur en haut / *Parallel faced internally stepped top*
- T5 : Portée conique épaulement intérieur / *Taper faced internally bevelled bottom (Reverse torsion)*
- TN1 : Portée conique bec d'aigle - intérieur en bas avec simple crochet / *Taper faced Napier - externally stepped bottom with single hook*

CHEMISES & SOUPAPES
LINERS & ENGINE VALVES



- A : Alésage (mm) / Nominal bore diameter (mm) D : Diamètre colerette (mm) / Flange diameter
 B : Diamètre extérieur (mm) / Outside diameter (mm) E : Hauteur colerette (mm) / Flange width (mm)
 C : Hauteur totale (mm) / Overall length (mm)

Chemises finies / Fully-finished liners

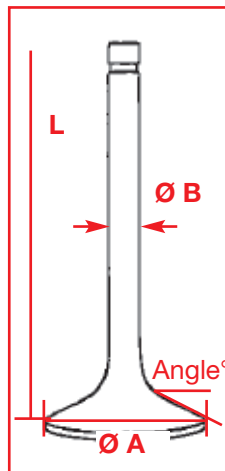
| Réf. Réf. | Type Type | A (mm) | B (mm) | C (mm) | D (mm) | E (mm) |
|--------------|--------------|-----------|-----------|-----------|-----------|-----------|
| 30/35-7 | C | 91.49 | 93.66 | 216.03 | 96.72 | 3.81 |
| 30/35-23 | | 101.05 | 104.20 | | 107.37 | |
| 30/35-108 | | 100.00 | 104.33 | 226.44 | 107.44 | 3.86 |

Chemises semi-finies / Semi-finished liners

| Réf. Réf. | Type Type | A (mm) | B (mm) | C (mm) | D (mm) | E (mm) |
|--------------|--------------|-----------|-----------|-----------|-----------|-----------|
| 30/36-7 | C | 91.49 | 93.71 | 216.03 | 96.72 | 3.81 |
| 30/36-23 | | 101.05 | 104.20 | | 107.37 | |
| 30/36-108 | | 100.00 | 104.33 | 226.44 | 107.44 | 3.86 |

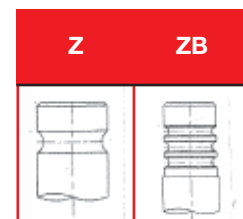
Admission / Inlet

| Réf. Ref. | ØA (mm) | ØB (mm) | L (mm) | Angle (°) | Nb de raynure Stem End |
|--------------|------------|------------|-----------|--------------|---------------------------------|
| 30/42-5 | 39.00 | 7.9 | 114.3 | 35 | Z |
| 30/42-38 | 45.00 | 9.5 | 122.9 | 45 | |
| 30/42-39 | | | 123.0 | 30 | |
| 30/42-71 | | | 122.8 | 45 | |
| 30/42-601 | 122.9 | ZB | | | |
| 30/42-602 | 44.2 | | 122.7 | 30 | |
| 30/42-603 | 45.00 | 9.5 | 122.6 | 30 | Z |
| 30/42-604 | | | 122.9 | 45 | |
| 30/42-605 | | | 123.0 | 30 | |



Echappement / Outlet

| Réf. Ref. | ØA (mm) | ØB (mm) | L (mm) | Angle (°) | Nb de raynure Stem End |
|--------------|------------|------------|-----------|--------------|---------------------------------|
| 30/43-5 | 33.4 | 7.9 | 114.2 | 35 | Z |
| 30/43-26 | 37.4 | 9.5 | 123.3 | 45 | |
| 30/43-601 | 36.6 | | | | 123.2 |
| 30/43-602 | 38.2 | | 123.2 | ZB | |

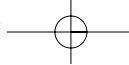


© Copyright TRACPIECES 2011. Reproduction, même partielle, interdite sans autorisation.
Les erreurs ou omissions qui auraient pu se glisser dans ce catalogue malgré le soin
apporté à sa réalisation n'engagent pas la responsabilité de Bepco-Tracpièces Group.
© Copyright TRACPIECES 2011. Reproduction or partial reproduction is forbidden without
authorisation.

Whilst every effort has been made to ensure the accuracy of the information provided
The Bepco-Tracpièces Group declines responsibility for any errors or omissions included in
this publication.

© Copyright TRACPIECES 2011. Nachdruck, auch nur auszugsweise, nur mit schriftlicher
Genehmigung. Für eventuelle Druckfehler in diesem Katalog übernimmt die Bepco-Tracpièces Group
keine Haftung. Irrtümer vorbehalten. Warenabgabe nur solange Vorrat reicht.

© Copyright TRACPIECES 2011. Reproductie, nog copieren van gedeeltes, verboden zonder
toelating. De fouten of vergeten gegevens die zich in de catalogus bevinden, ondanks
deze zeer goed is samengesteld, heeft dit geen verbintenis met de verantwoordelijkheid
van Bepco-Tracpièces Group

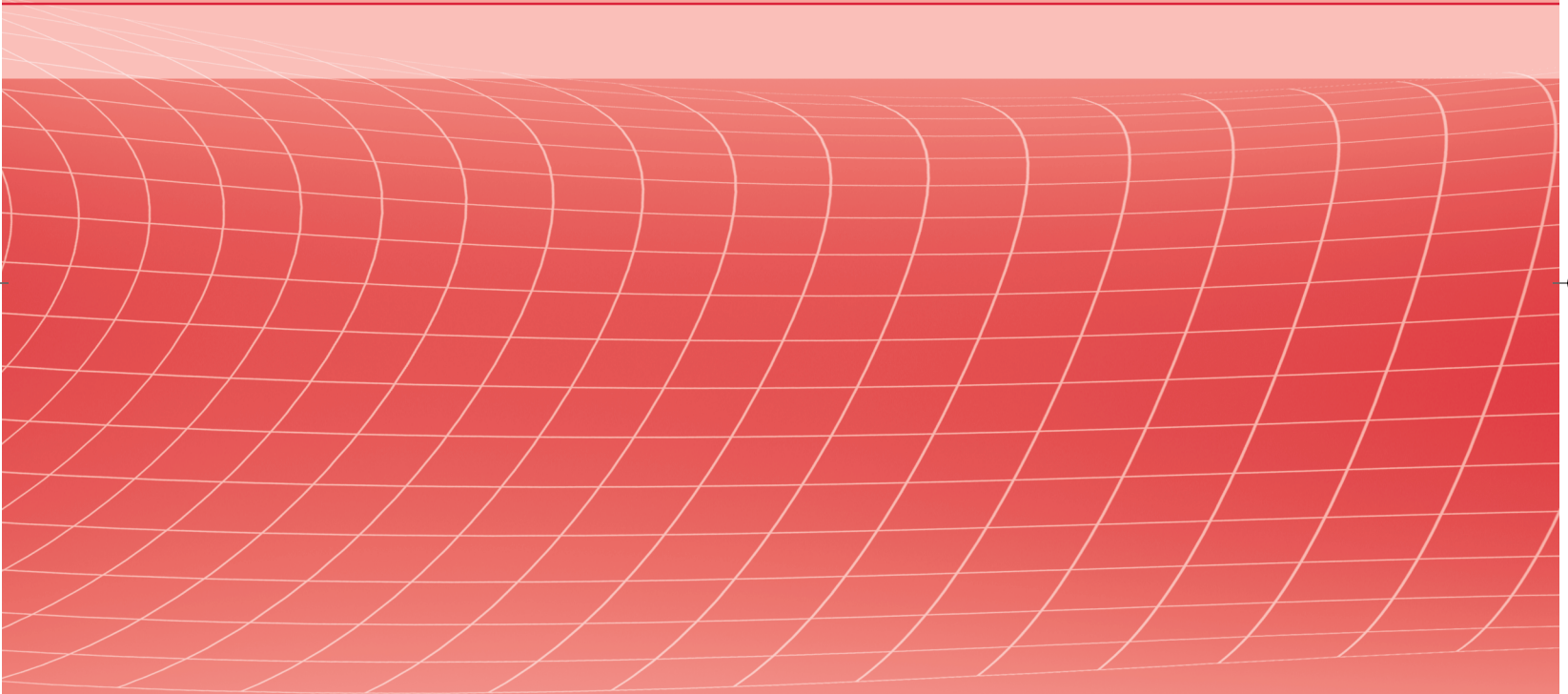


Replacement Parts Suitable for
Massey Ferguson Brazil

A leading worldwide brand in
agricultural tractor parts and
accessories since 1958.

Bepco-Tracpièces Group is your
guarantee in quality, service and
competitive pricing.

Quality is ...



“THE RELIABLE SERVICE”

